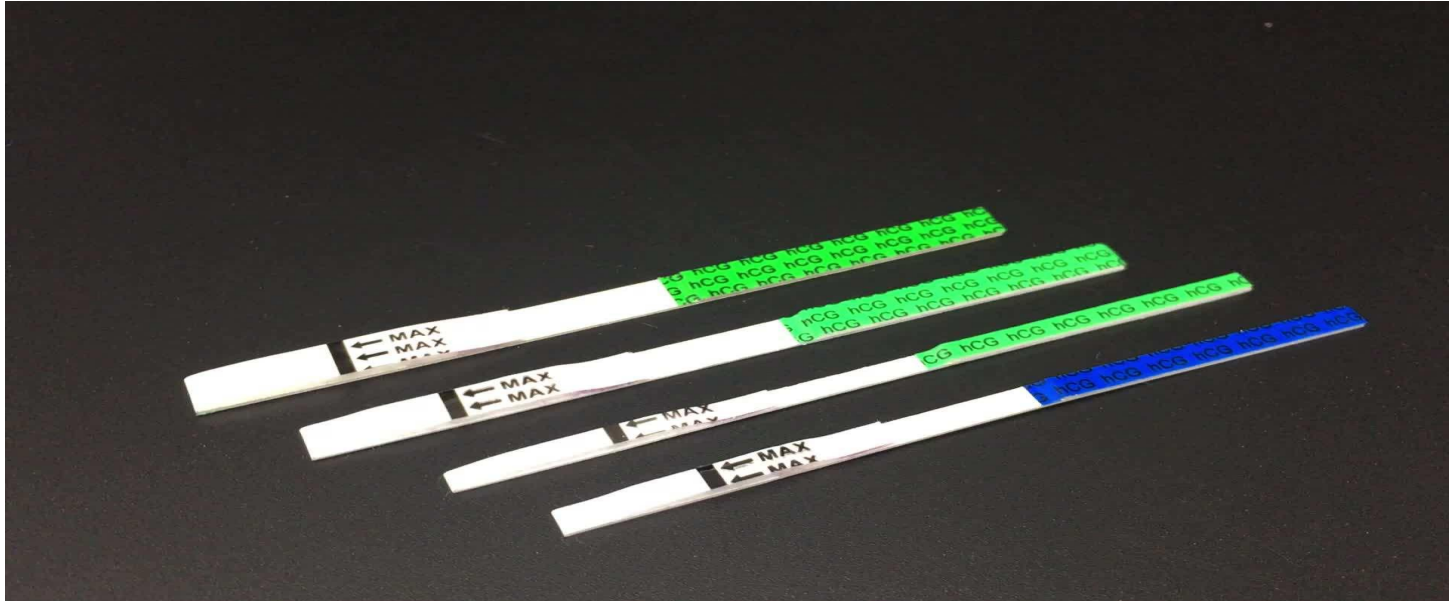


HCG Strip Blister Packing Machine



The system suitable for:

Pregnancy test strip

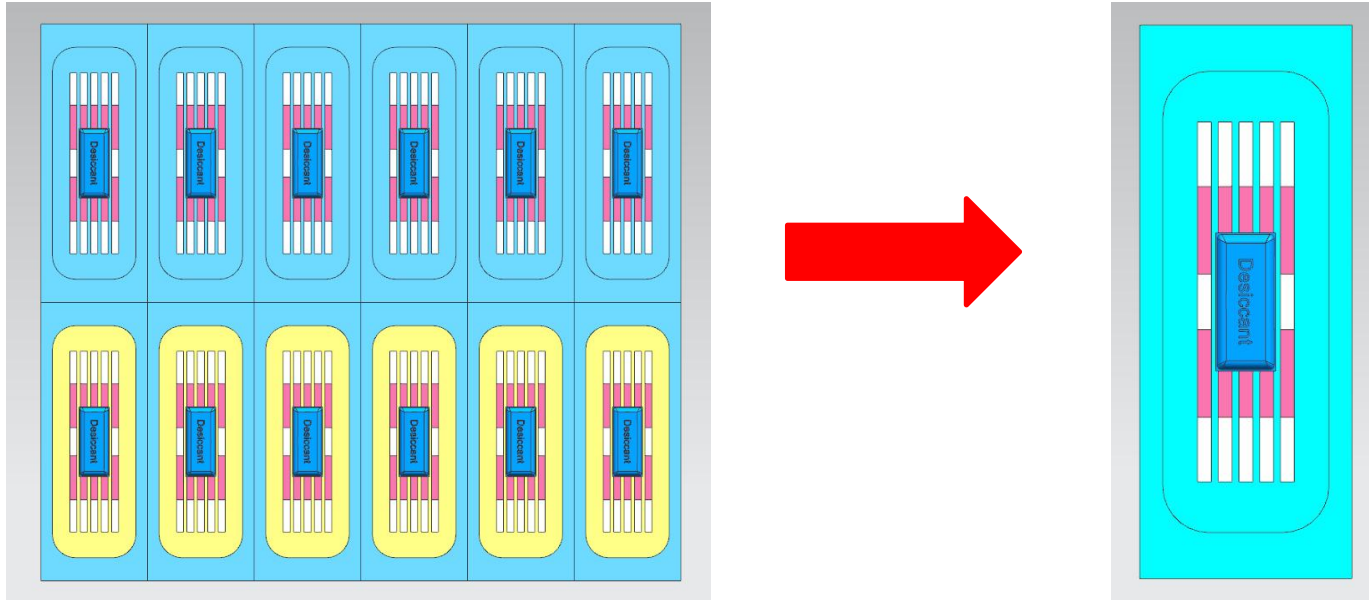
Ovulation test strips

HIV test strip

... ..

Other type lateral flow test strip

HCG Strip Blister Packing Machine

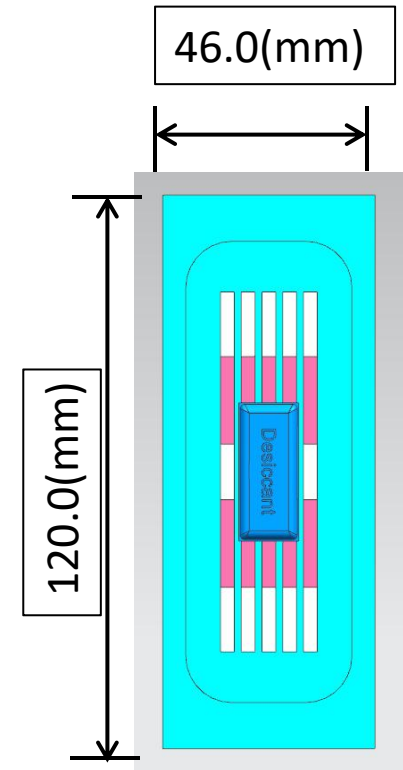
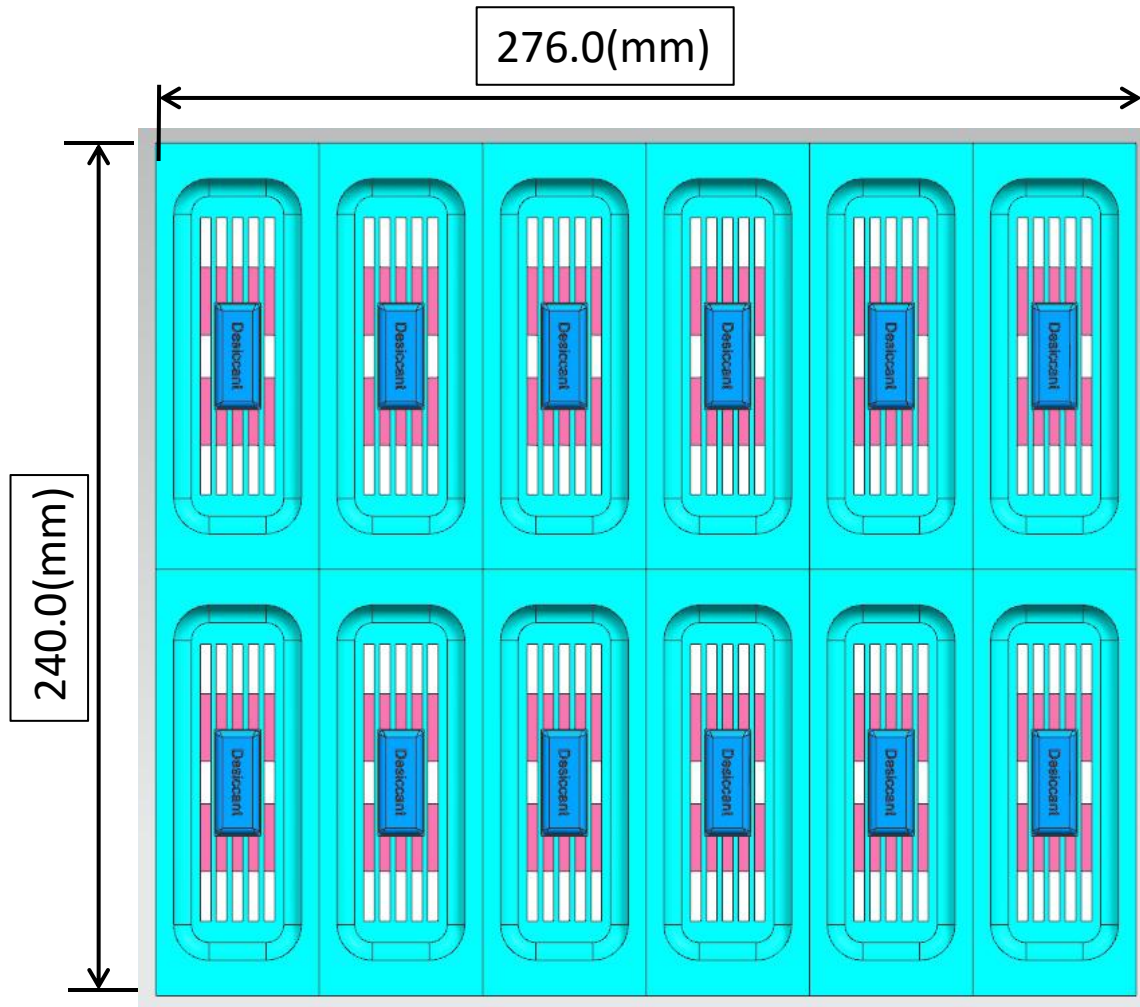


Requirements:

1. One blister contain 1 or 3 or 5 strips, can change on machine
2. Blister forming system integrated
3. NG strips removal
4. Place 0.5g desiccant bag
5. Seal blister with dialysis paper
6. Printer for text
7. Tear notch cutting
8. Blister cutting
9. 12 blister package output

HCG Strip Blister Packing Machine

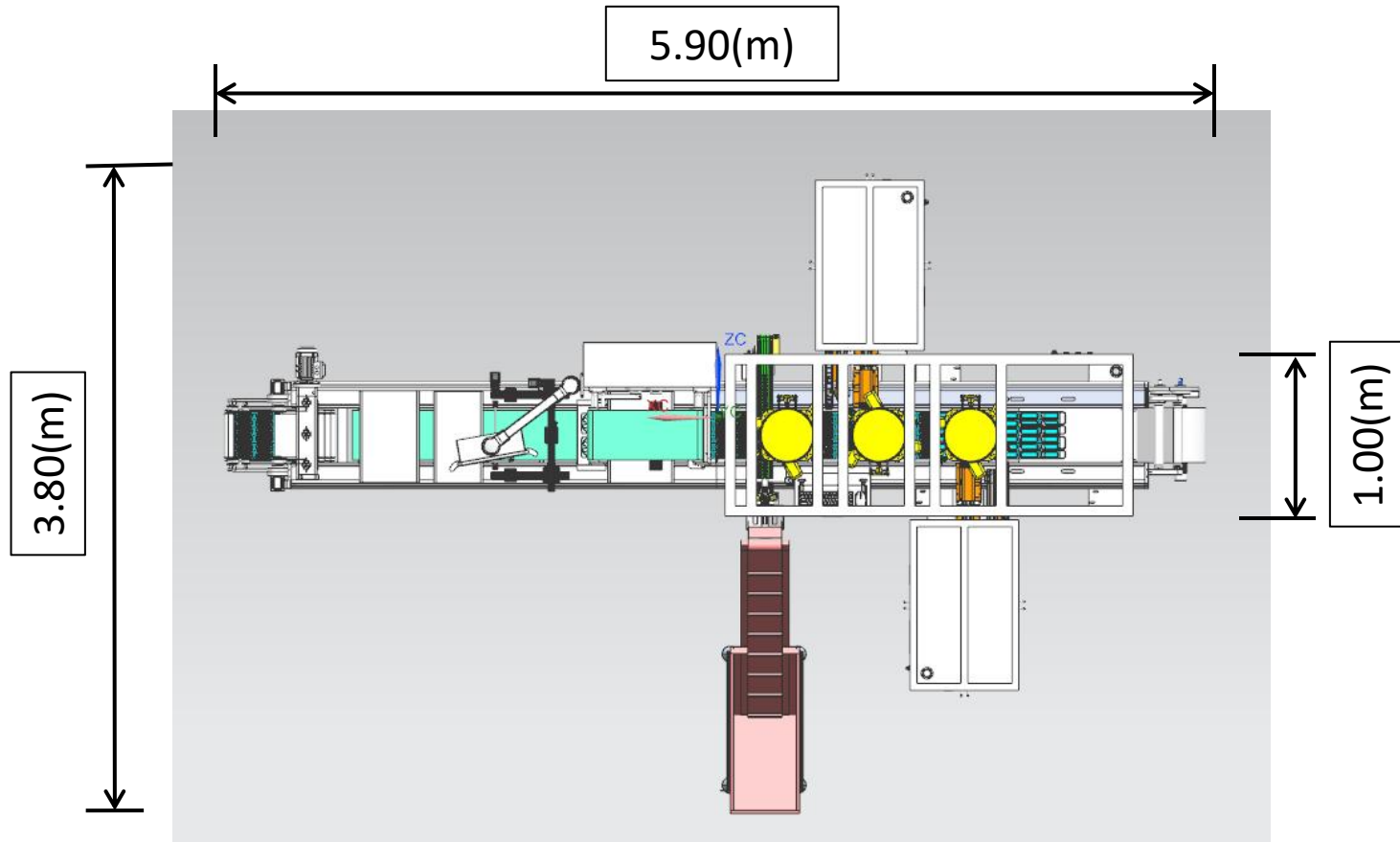
Finish pouch dimension



Single pouch
120.0*46.0*5.0(mm)

HCG Strip Blister Packing Machine

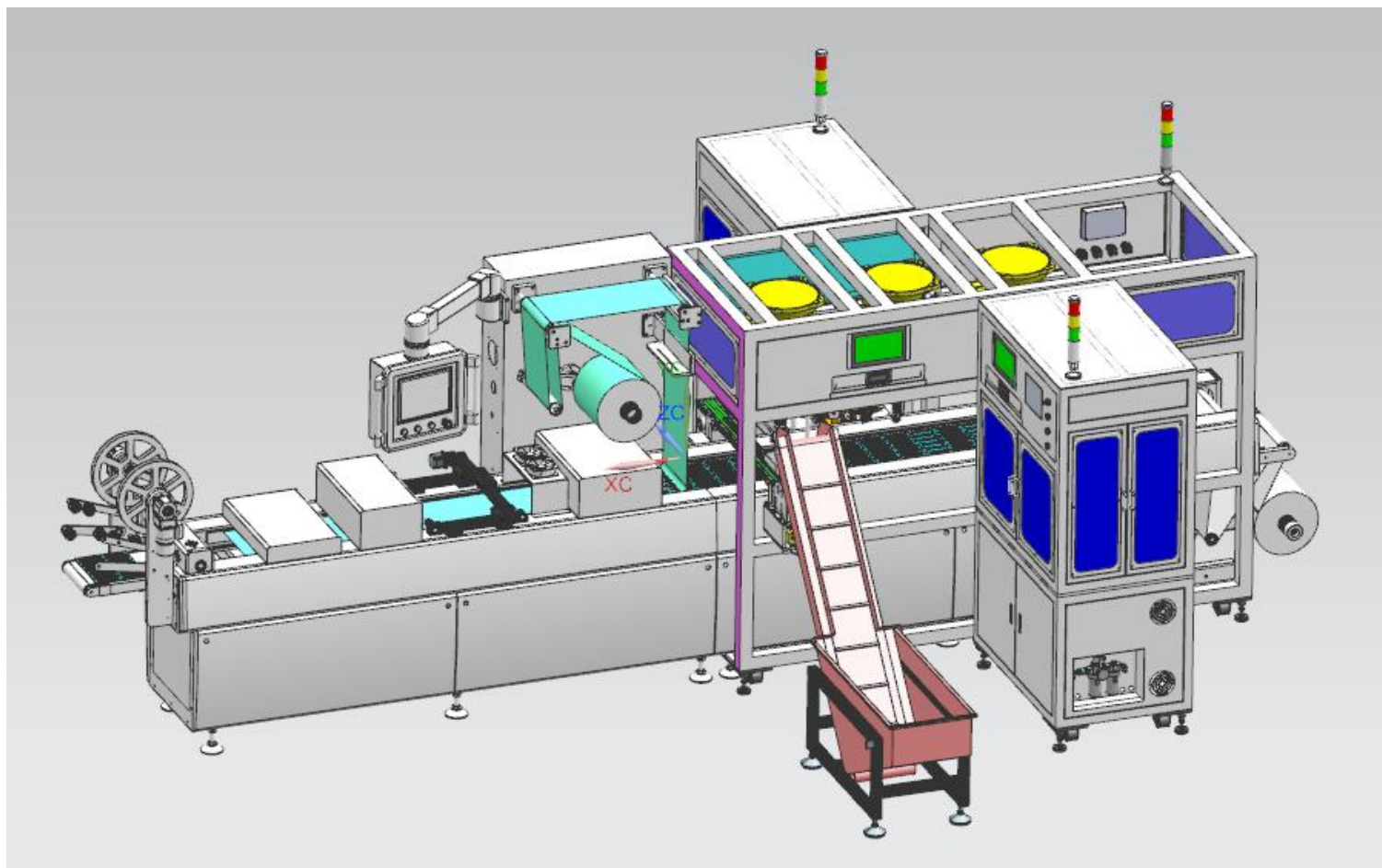
Dimension



Dimension: 5.90*3.80*1.80(m)

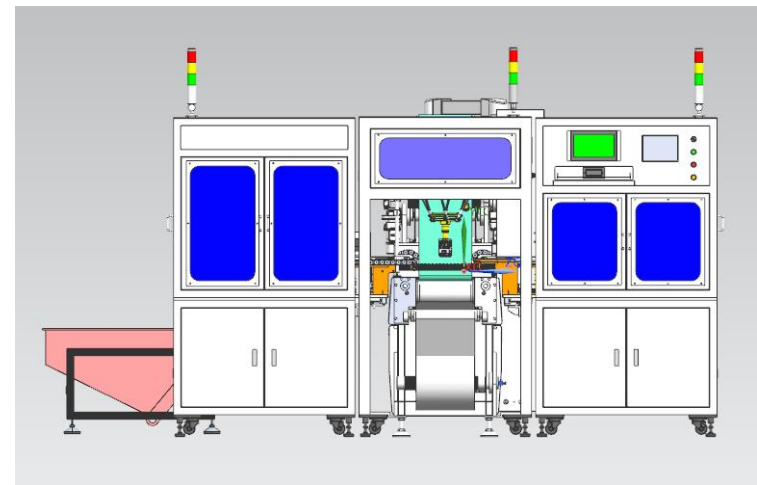
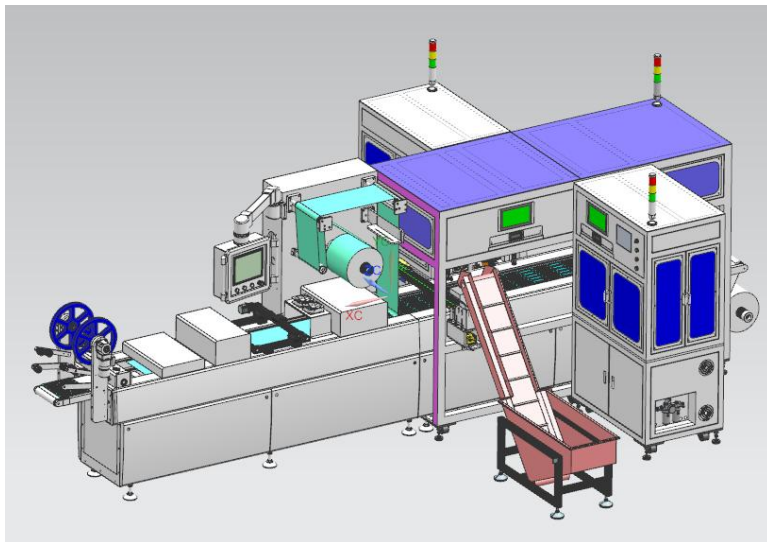
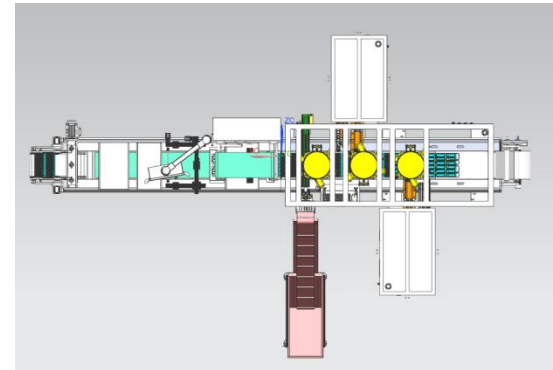
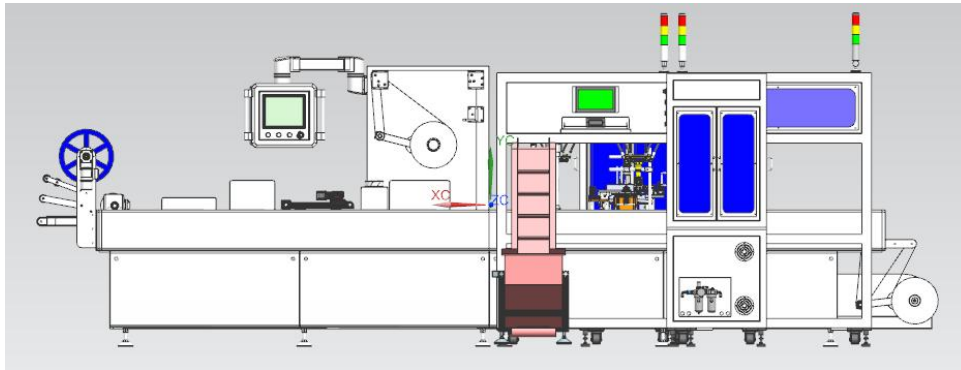
HCG Strip Blister Packing Machine

Overview



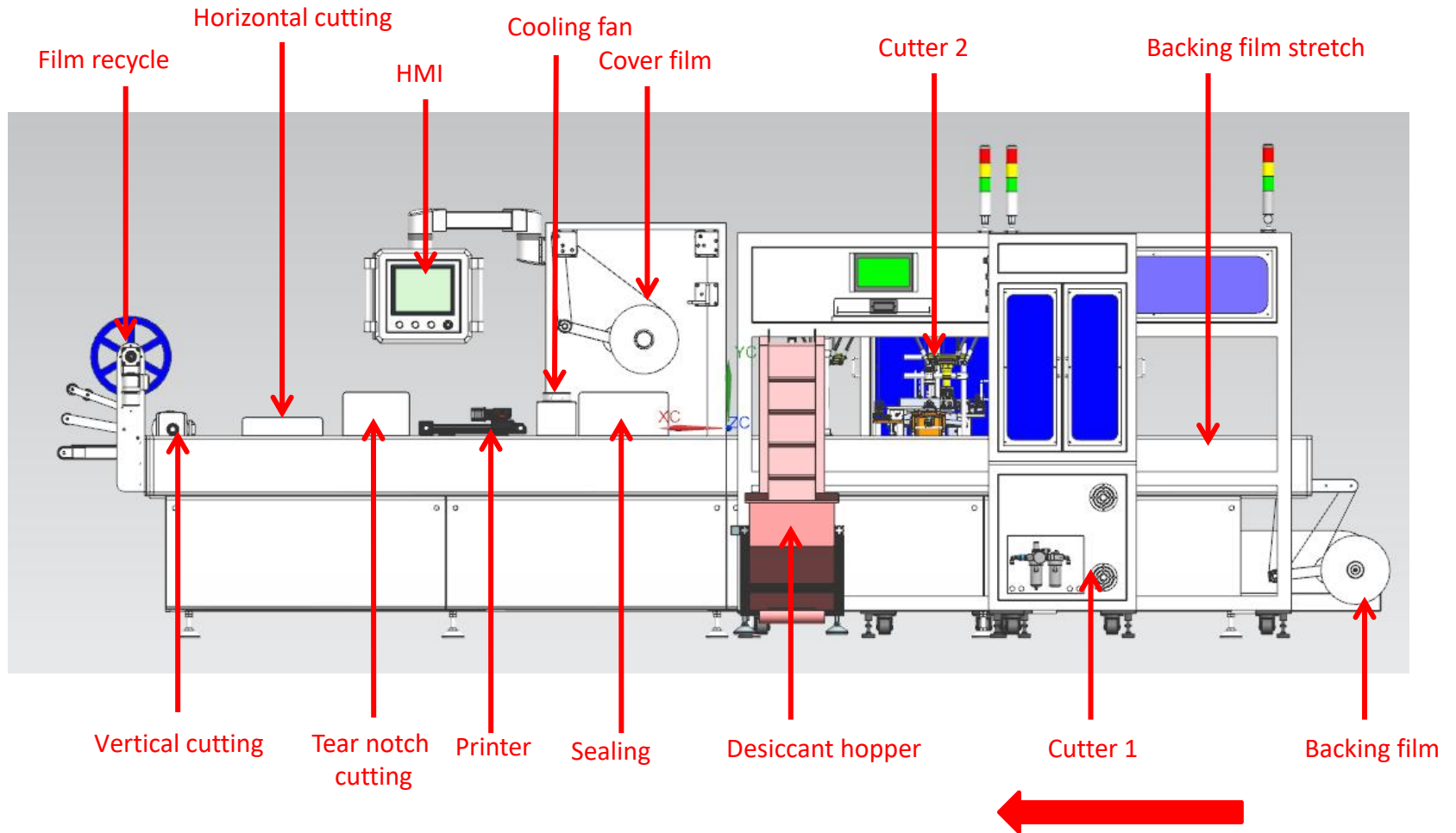
HCG Strip Blister Packing Machine

Overview



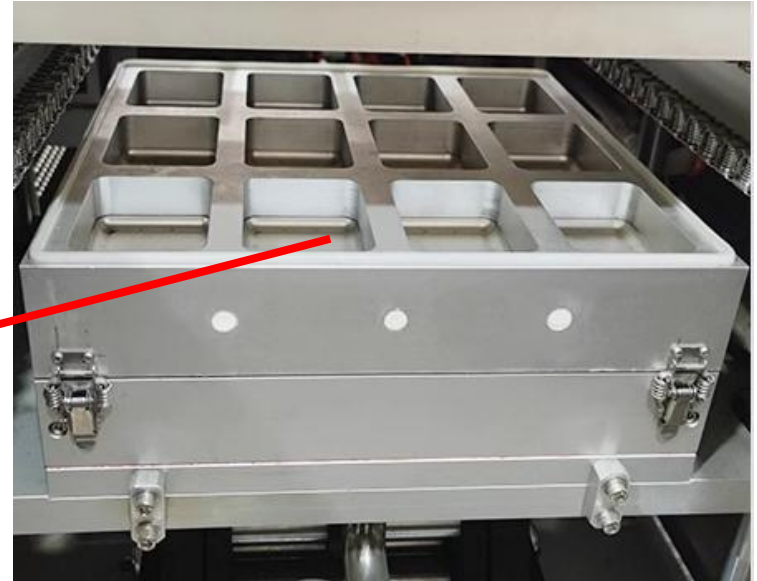
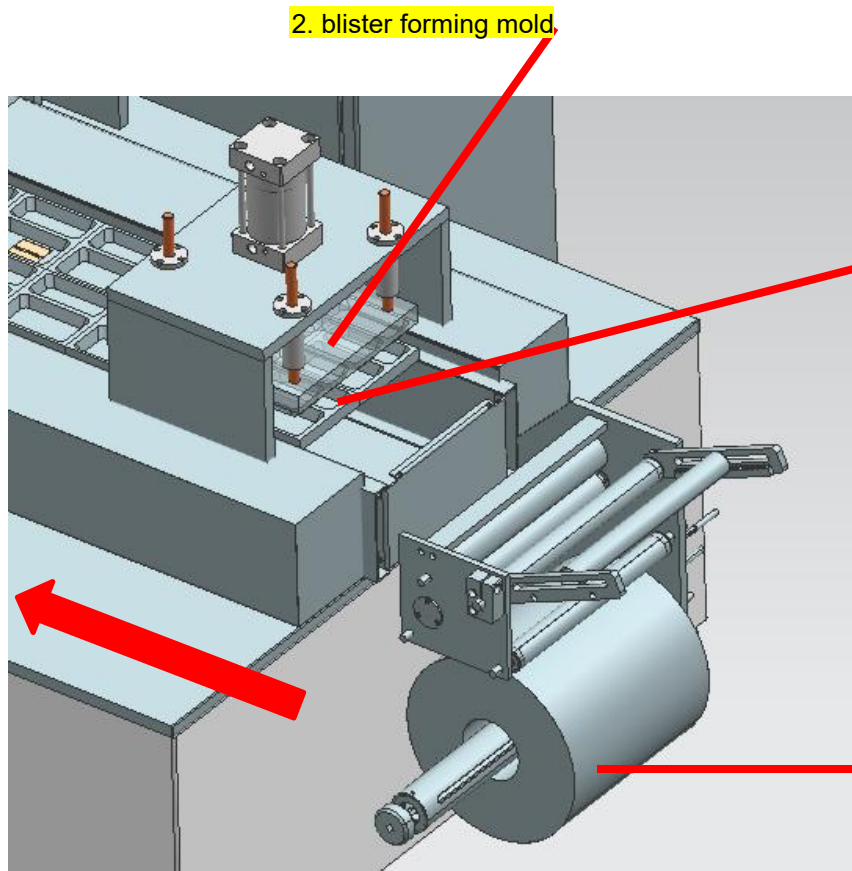
HCG Strip Blister Packing Machine

Workstation



HCG Strip Blister Packing Machine

Blister forming

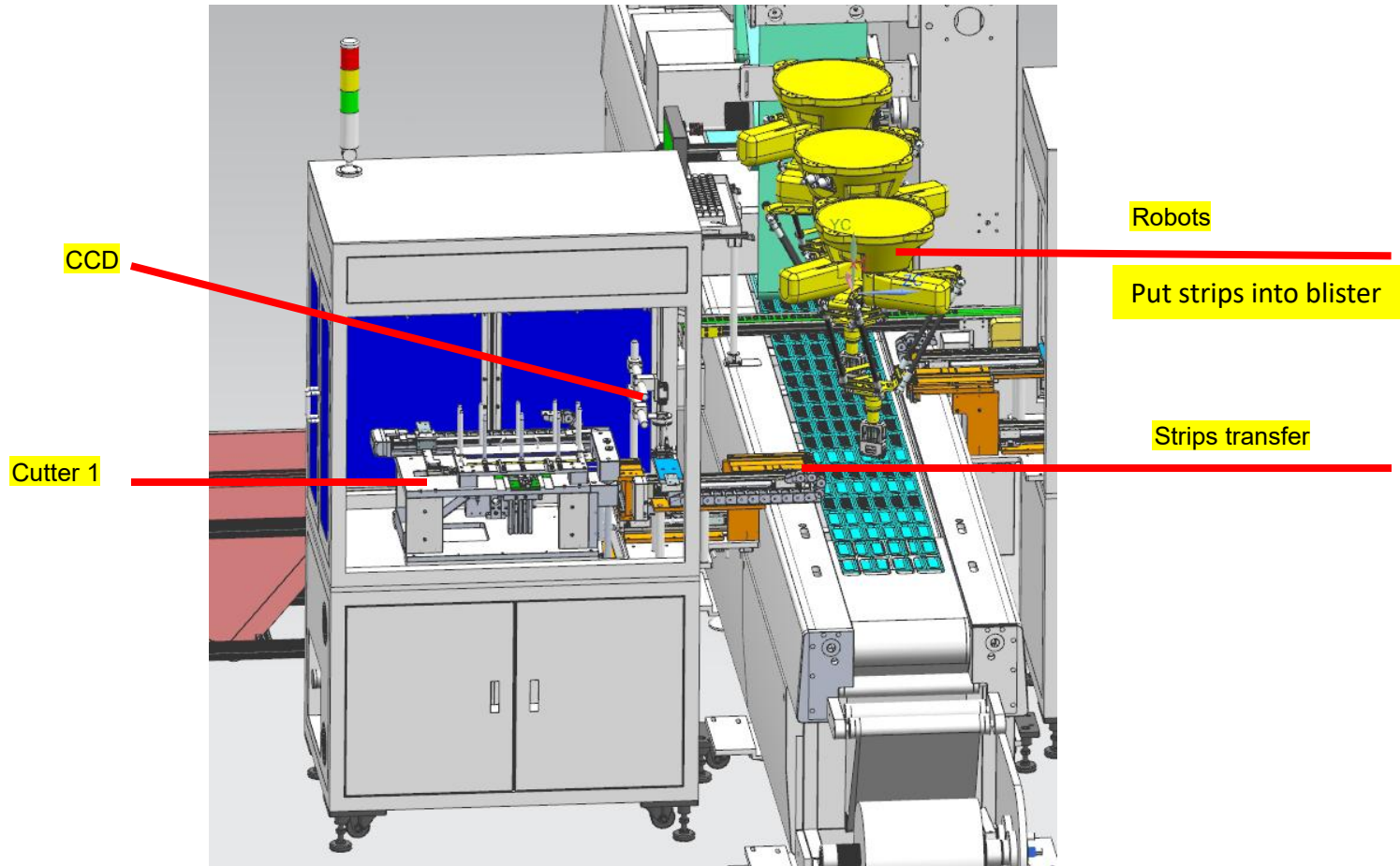


only for reference

1. 0.12 thickness, 323.00mm width, roll length 300m

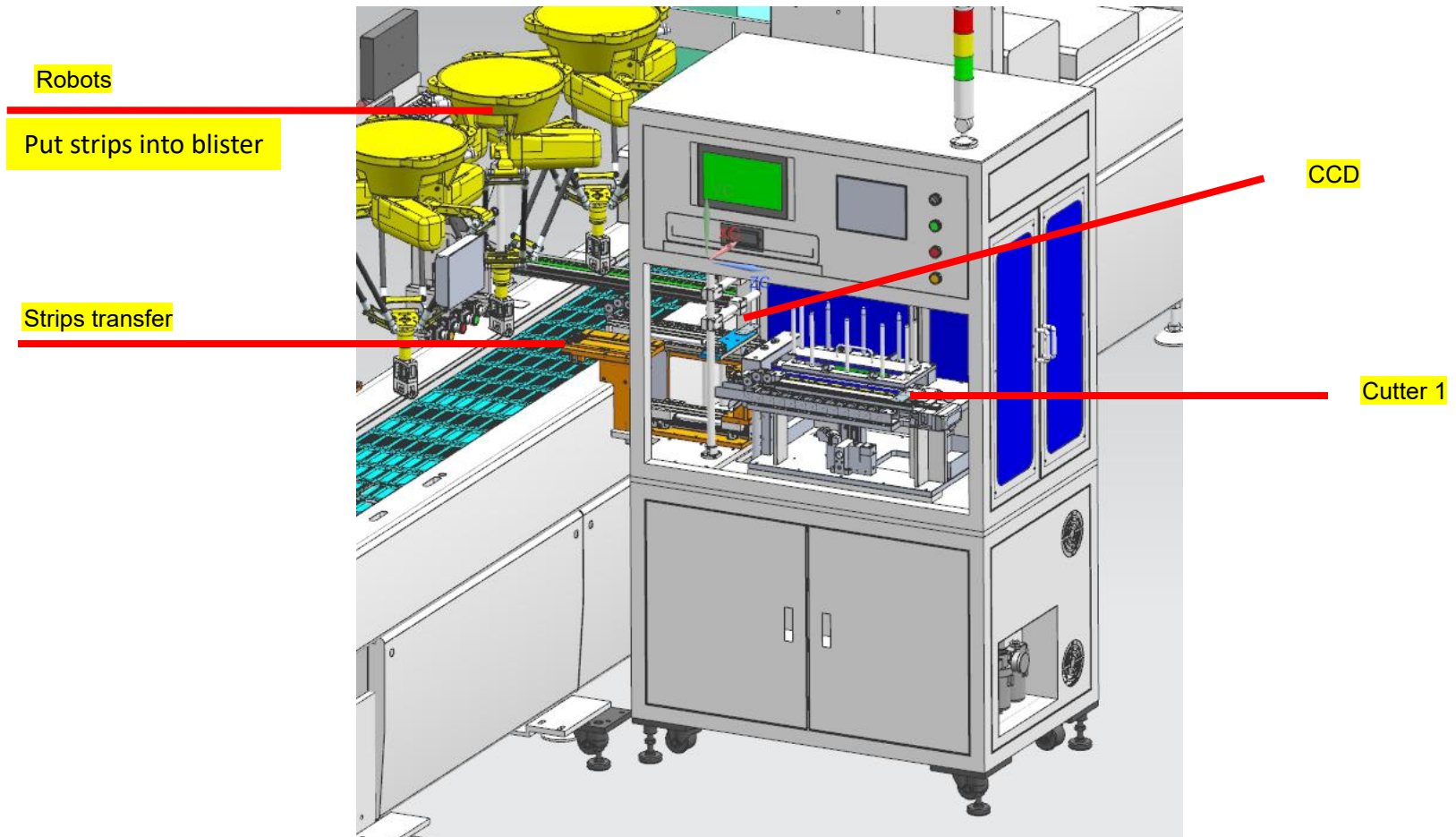
HCG Strip Blister Packing Machine

Cutter & robots



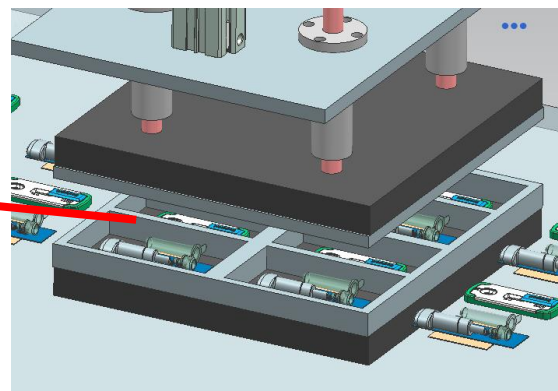
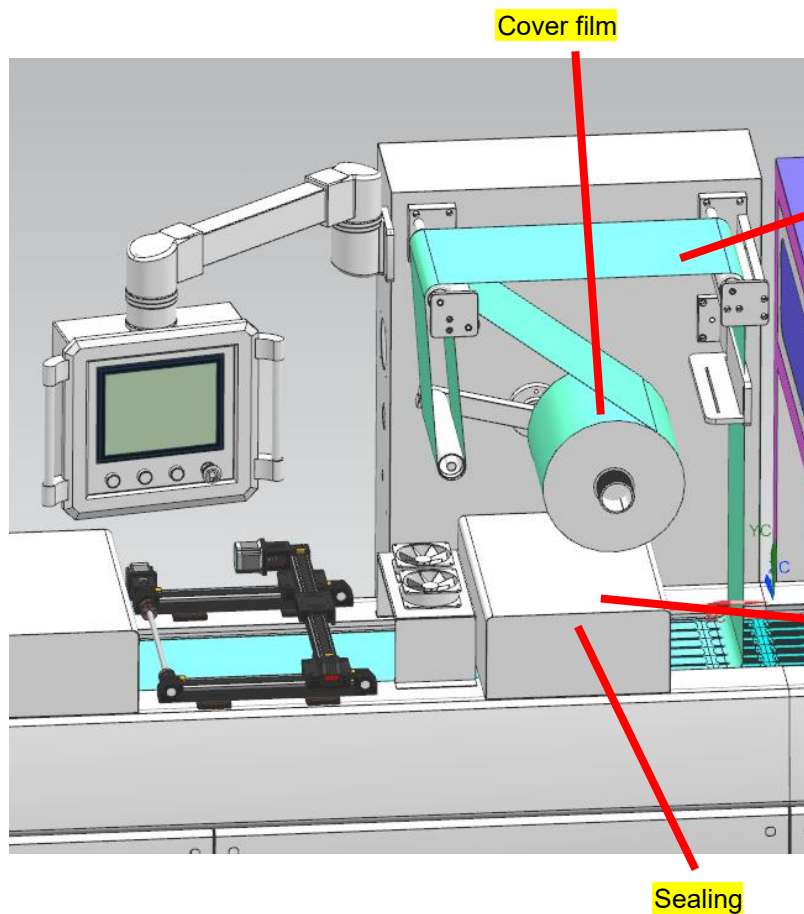
HCG Strip Blister Packing Machine

Cutter & robots



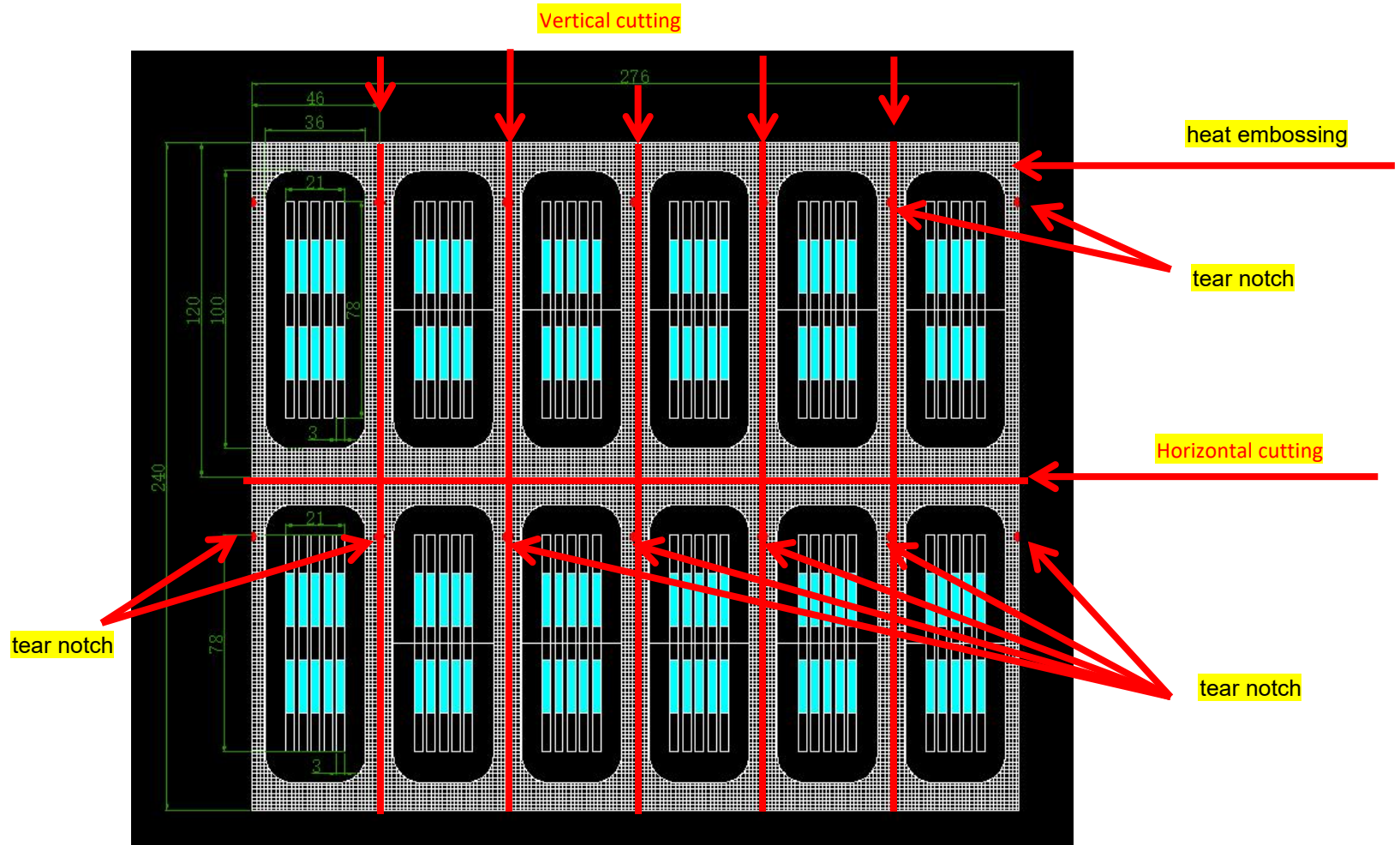
HCG Strip Blister Packing Machine

Cover film & sealing



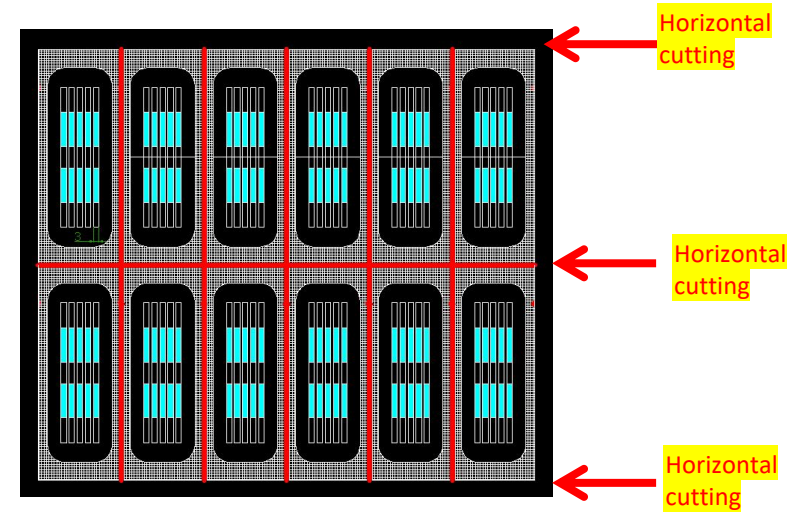
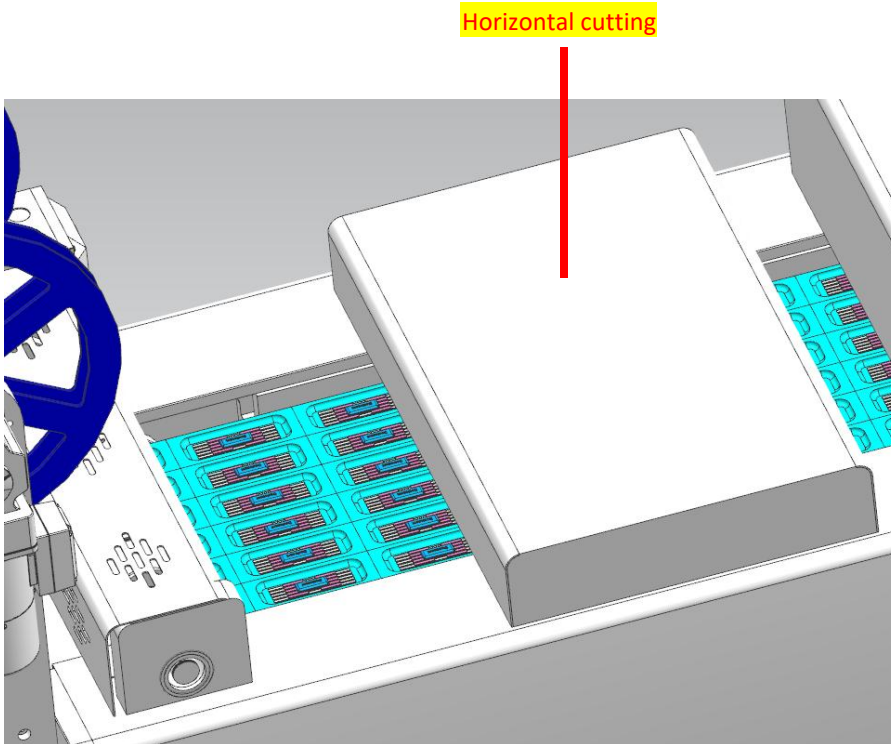
HCG Strip Blister Packing Machine

Blister cutting



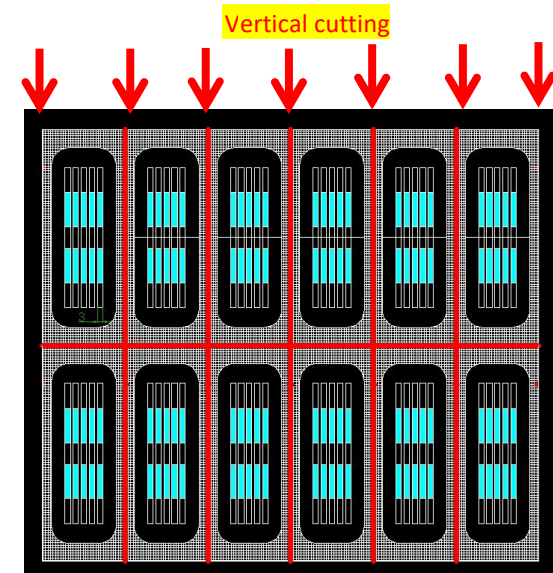
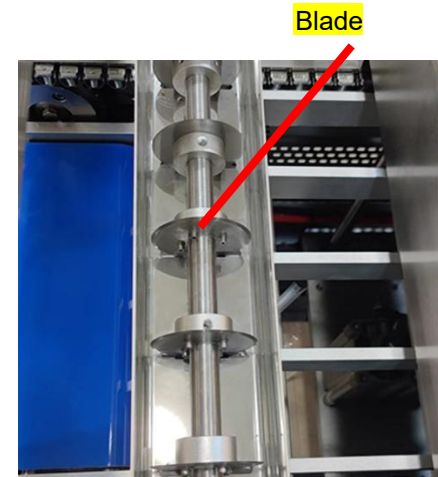
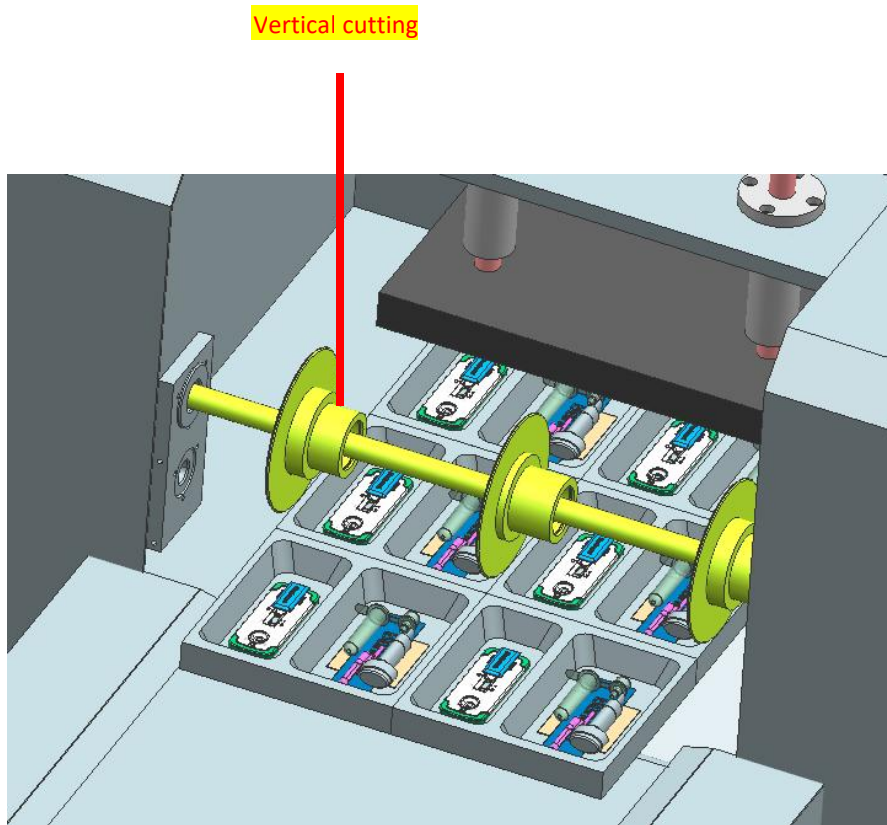
HCG Strip Blister Packing Machine

Blister cutting



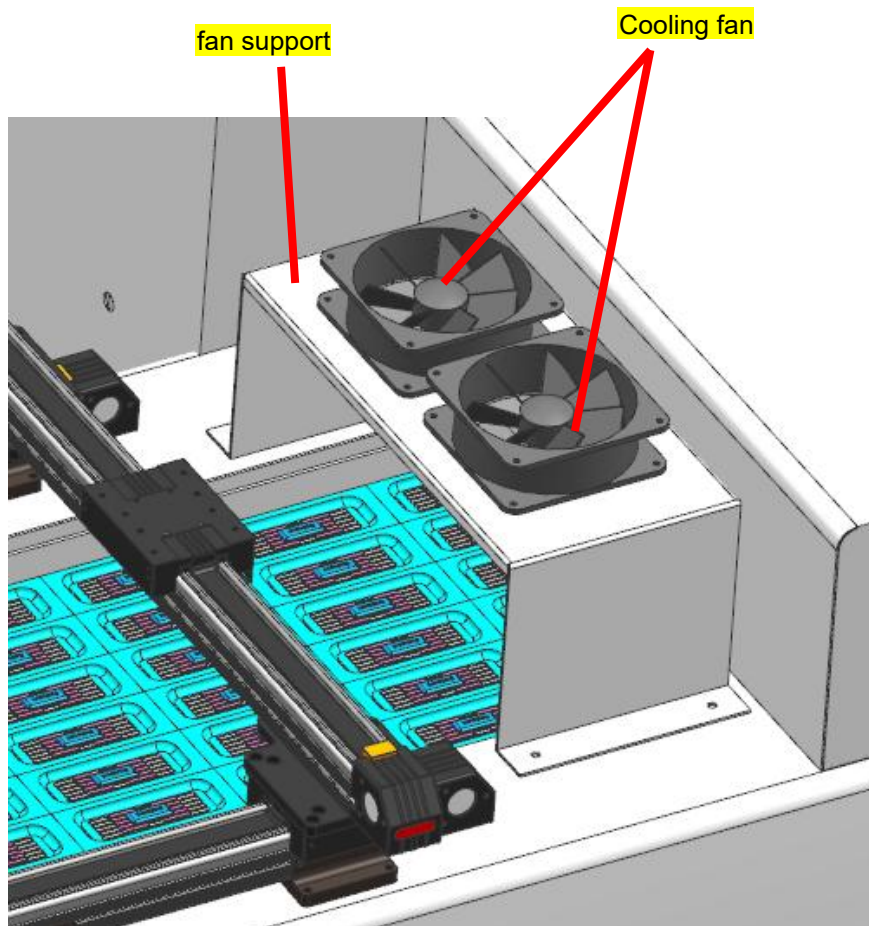
HCG Strip Blister Packing Machine

Blister cutting



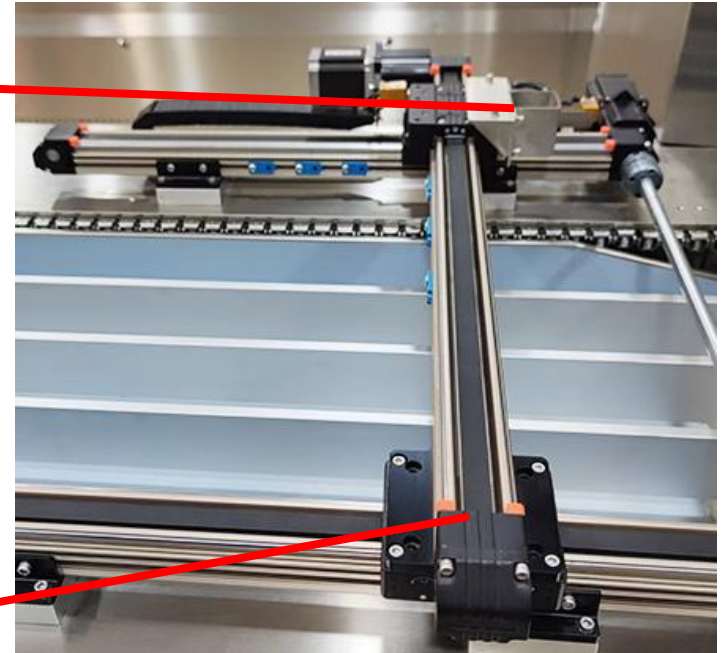
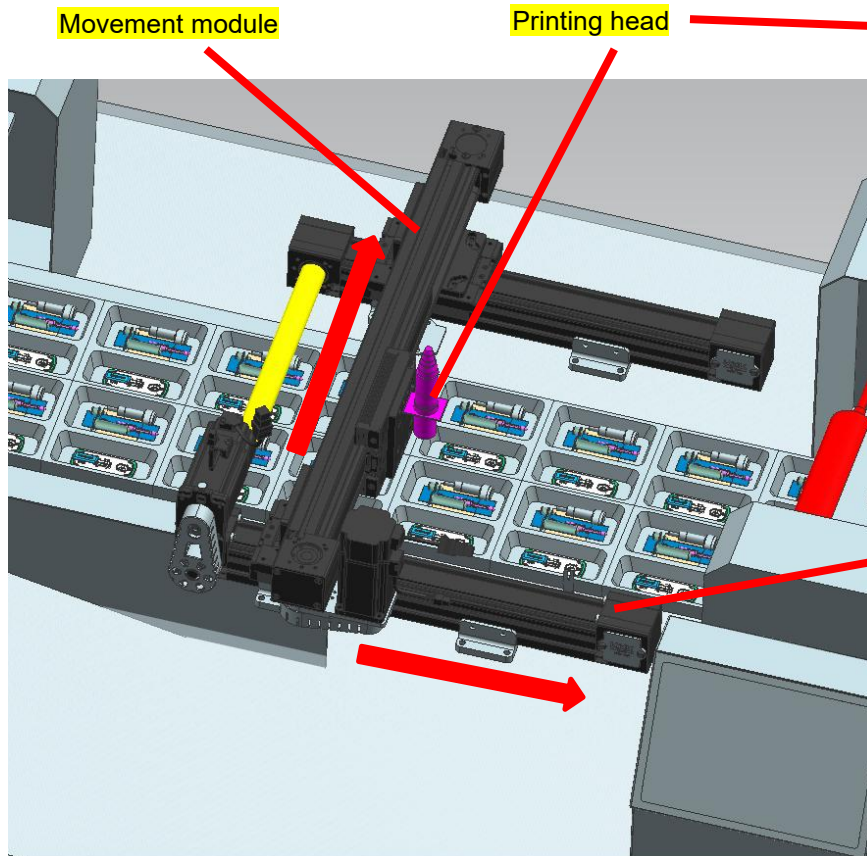
HCG Strip Blister Packing Machine

Cooling fan



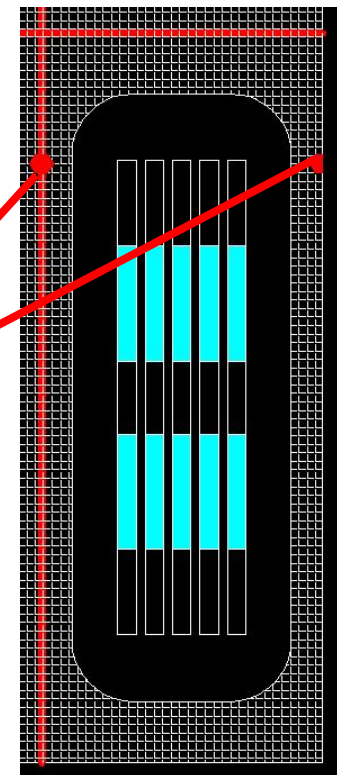
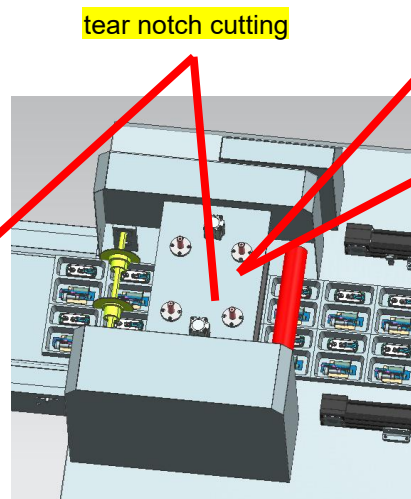
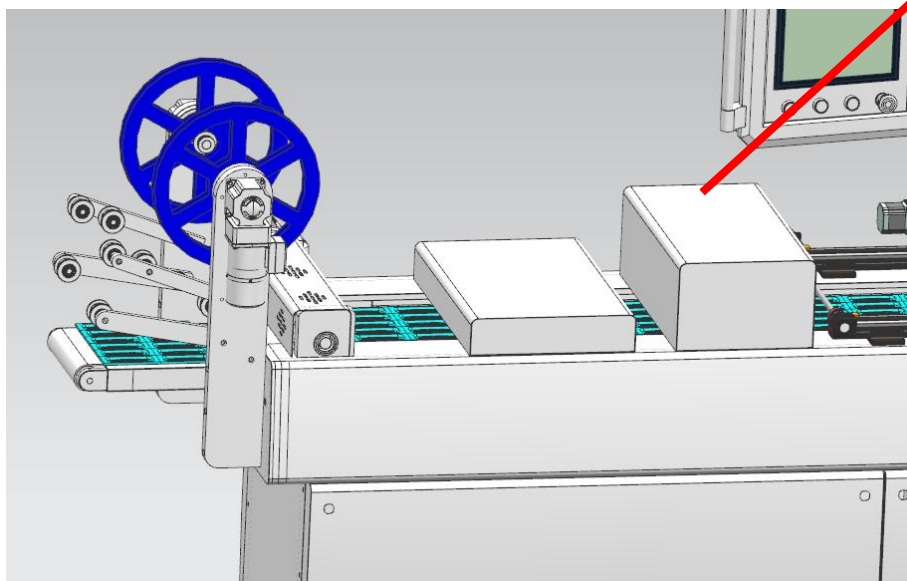
HCG Strip Blister Packing Machine

Printer



HCG Strip Blister Packing Machine

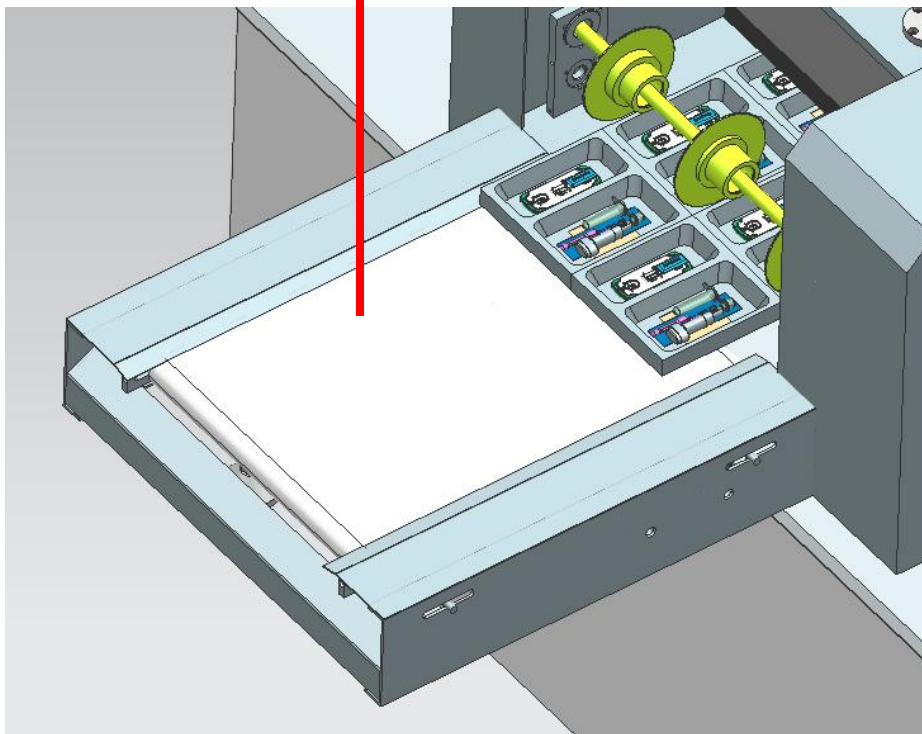
Tear notch cutting



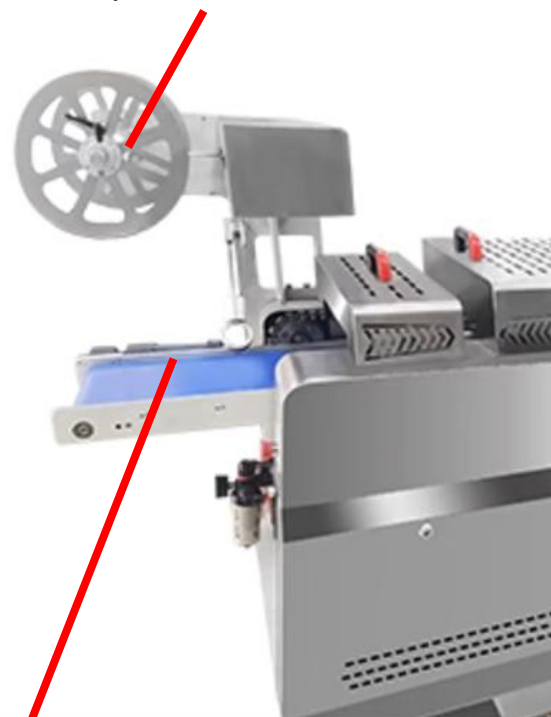
HCG Strip Blister Packing Machine

Output

Connect to automatic boxing machine



film recycle



Output

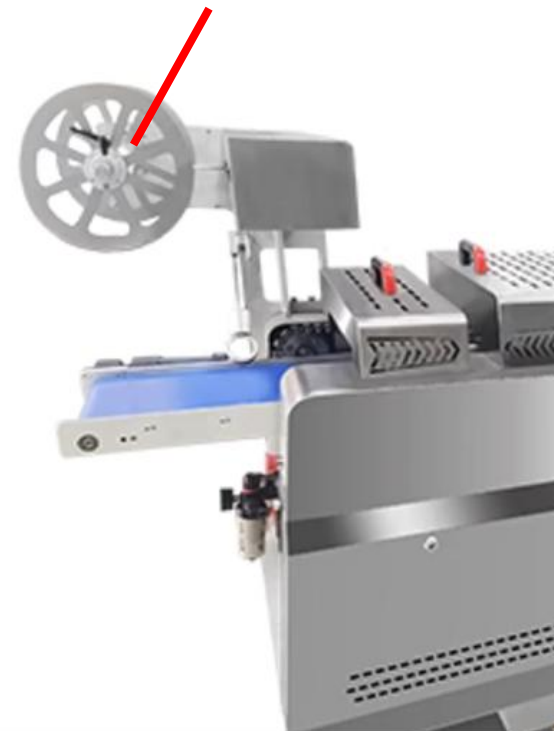
HCG Strip Blister Packing Machine

Film width

Cover film wide 300.00mm, thinckness 0.12mm



film recycle



Backing film 323.00 width,
thinckness 0.12mm

HCG Strip Blister Packing Machine

Features:

1. Touch screen
2. Capacity: 2,400 pouch/hour
3. NG strips remove
4. Easy to use

Operation:

1. Connect power supply and air supply
2. Install films
3. Place uncut sheets into loader
4. Place desiccant bags into hopper
5. Set heating temperature
6. Start running

HCG Strip Blister Packing Machine

Parameters	
Capacity	2,400 pouch/H
Activation	90%
Air supply	0.5~0.8MPa
Power supply	AC220V/50Hz
Internal power	DC/24V
Power	23.0 KW
Weight	3,500kg
Dimension	L5.9 * W3.8 * H1.8m

HCG Strip Blister Packing Machine

Key components	
PLC	Mitsubishi/Panasonic/other
Operation system	ANTITECK
Servo	Inovance/KNK/other
Relay	Schneider/CHNT/other
Sensor	OMRON/Panasonic/other
Cylinder	SMC/AIRTAC/other
Solenoid valve	SMC/AIRTAC/other
Connector	SMC/AIRTAC/other