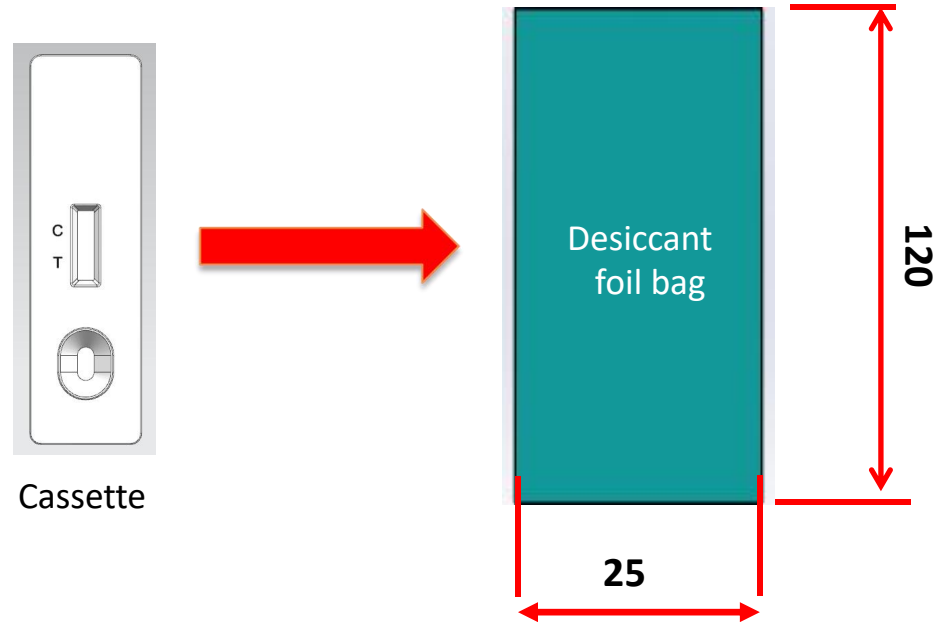


# Rapid Test Strip Packaging Machine

## Cassette Packaging Only



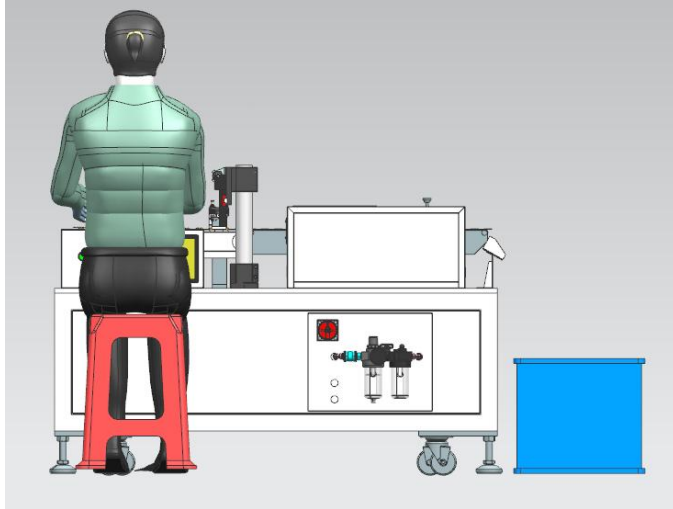
### Workflow:

1. Automatic feeding foil bag
2. Manual feeding cassette
3. Automatic open foil bag
4. Automatic insert cassette into foil bag
5. Automatic seal foil bag
6. Finish

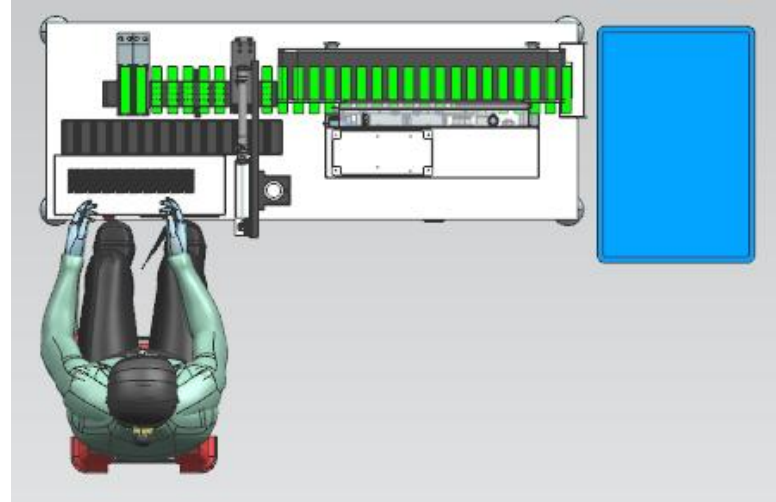
# Rapid Test Strip Packaging Machine

## Cassette Packaging Only

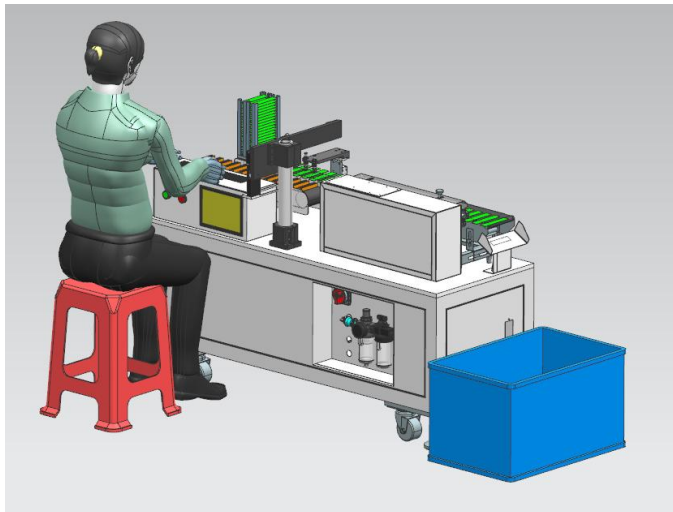
### Overview



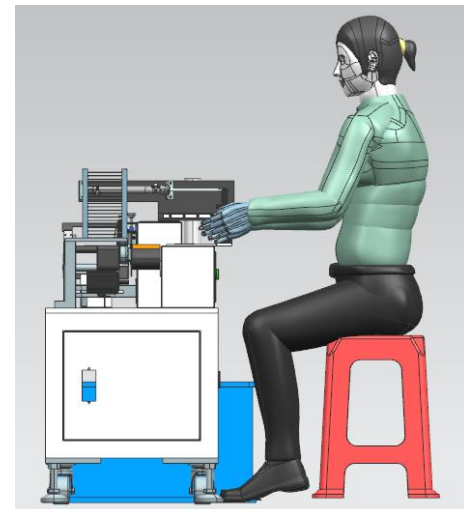
Front view



Top view



Side view

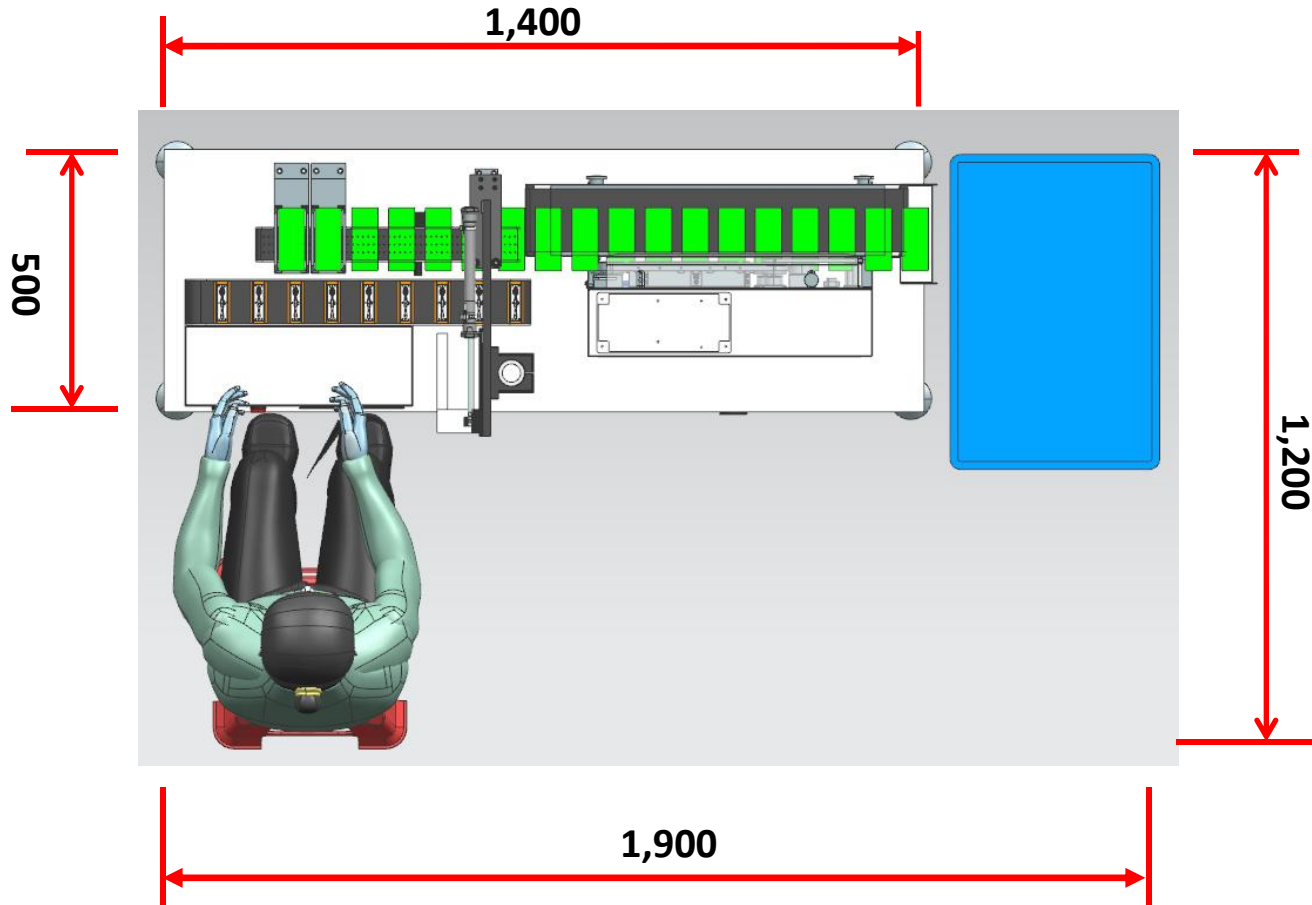


Right view

# Rapid Test Strip Packaging Machine

## Cassette Packaging Only

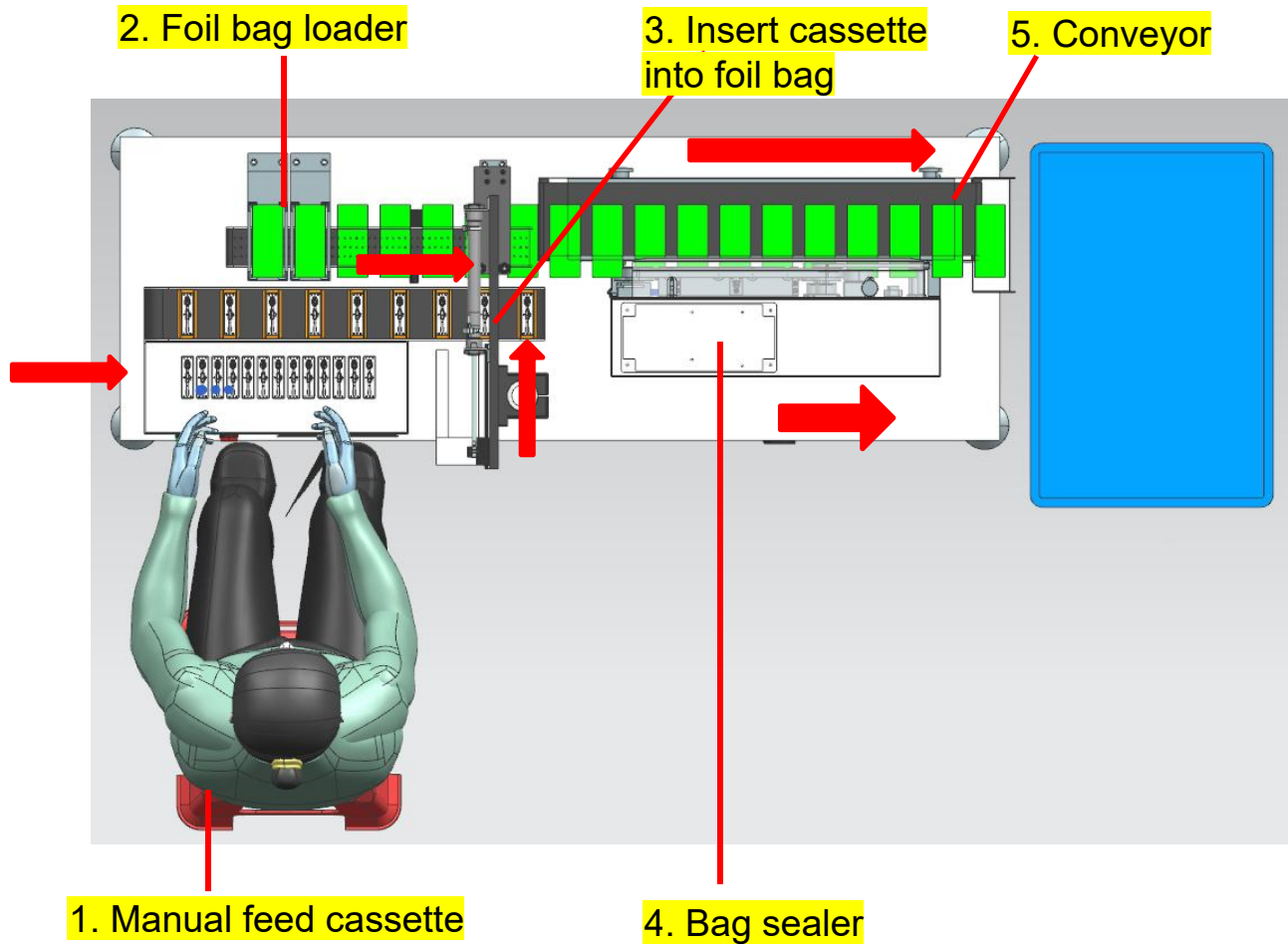
### Dimension



# Rapid Test Strip Packaging Machine

## Cassette Packaging Only

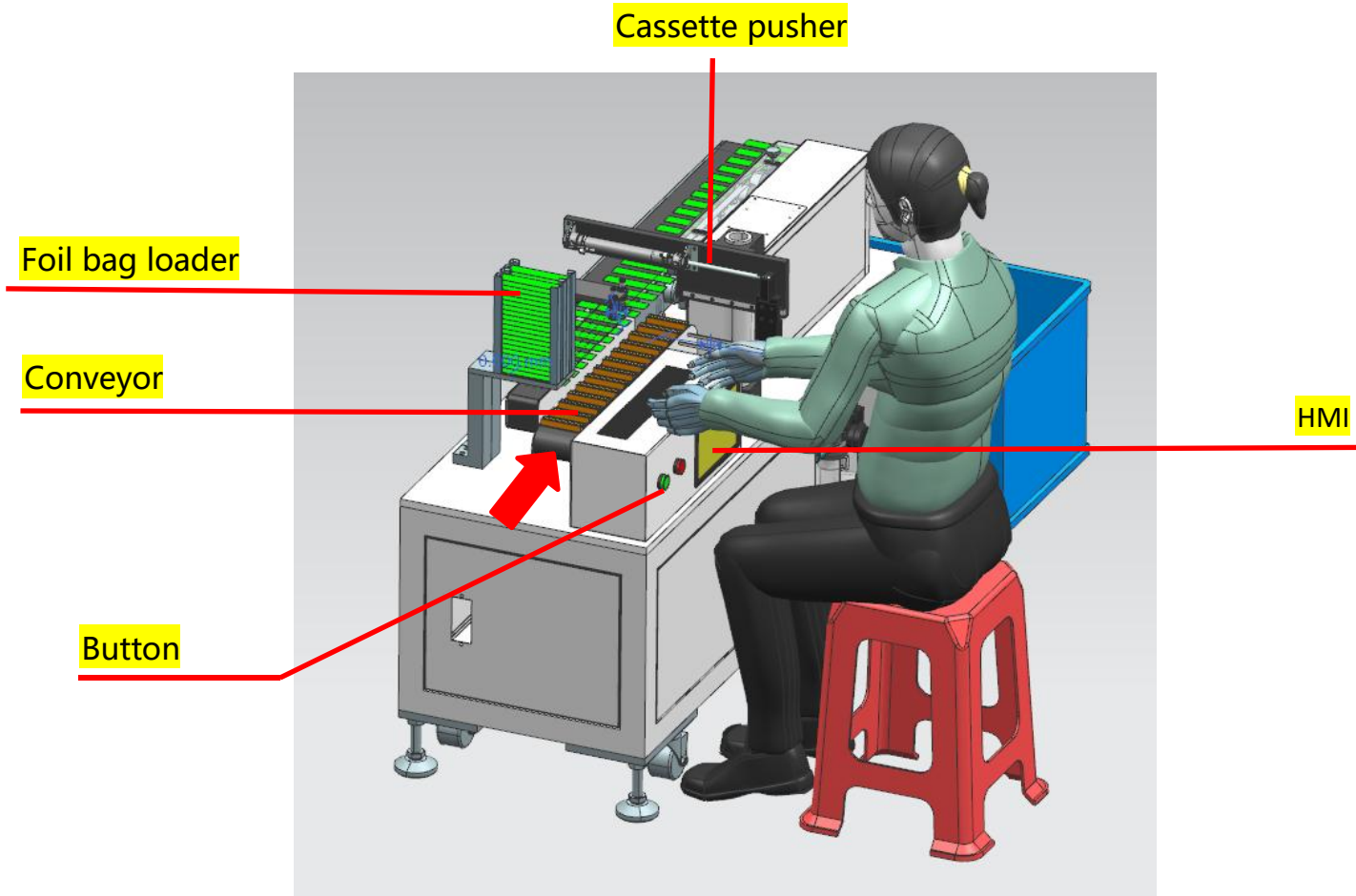
### Workstation



# Rapid Test Strip Packaging Machine

## Cassette Packaging Only

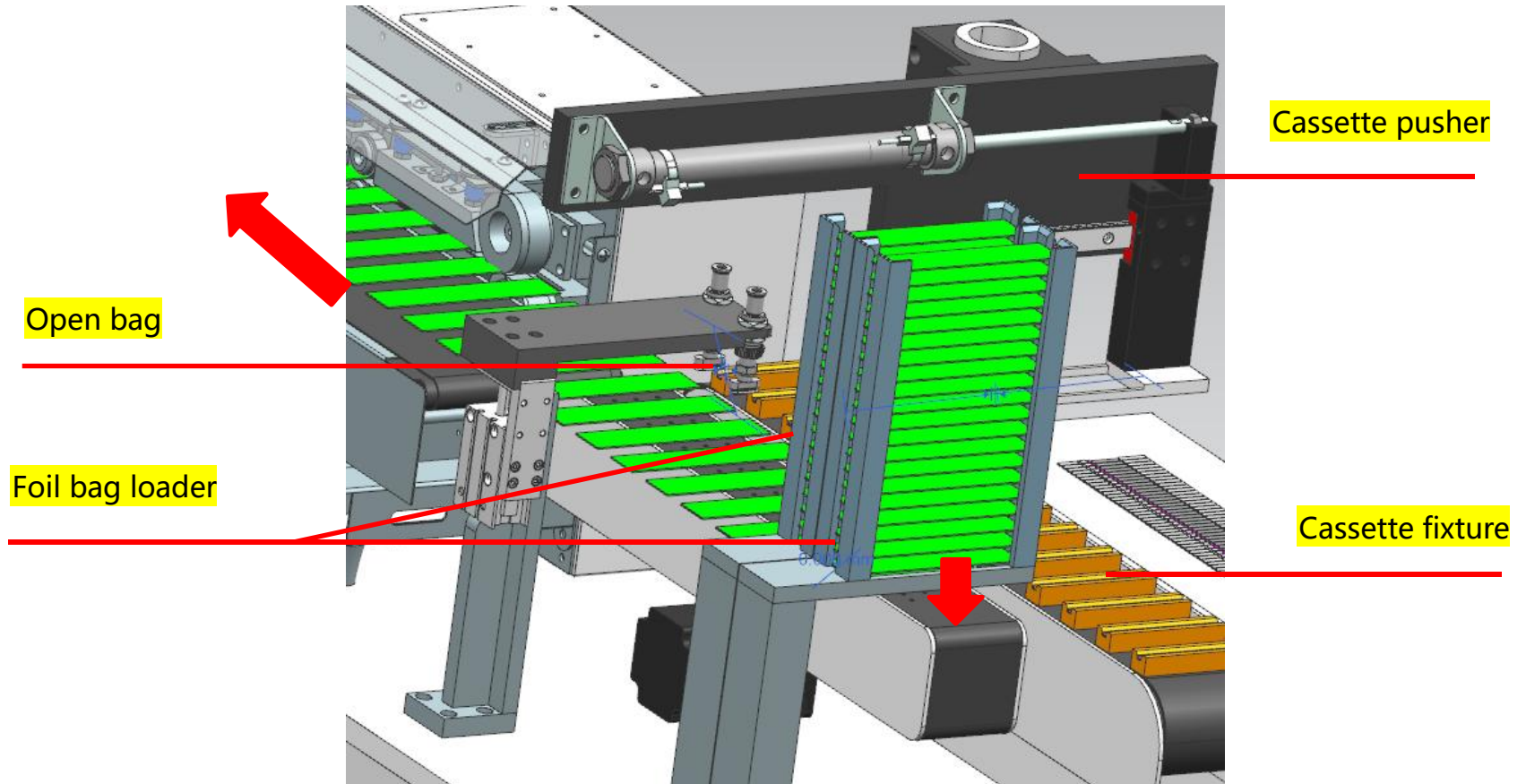
### Manual feeding cassette



# Rapid Test Strip Packaging Machine

## Cassette Packaging Only

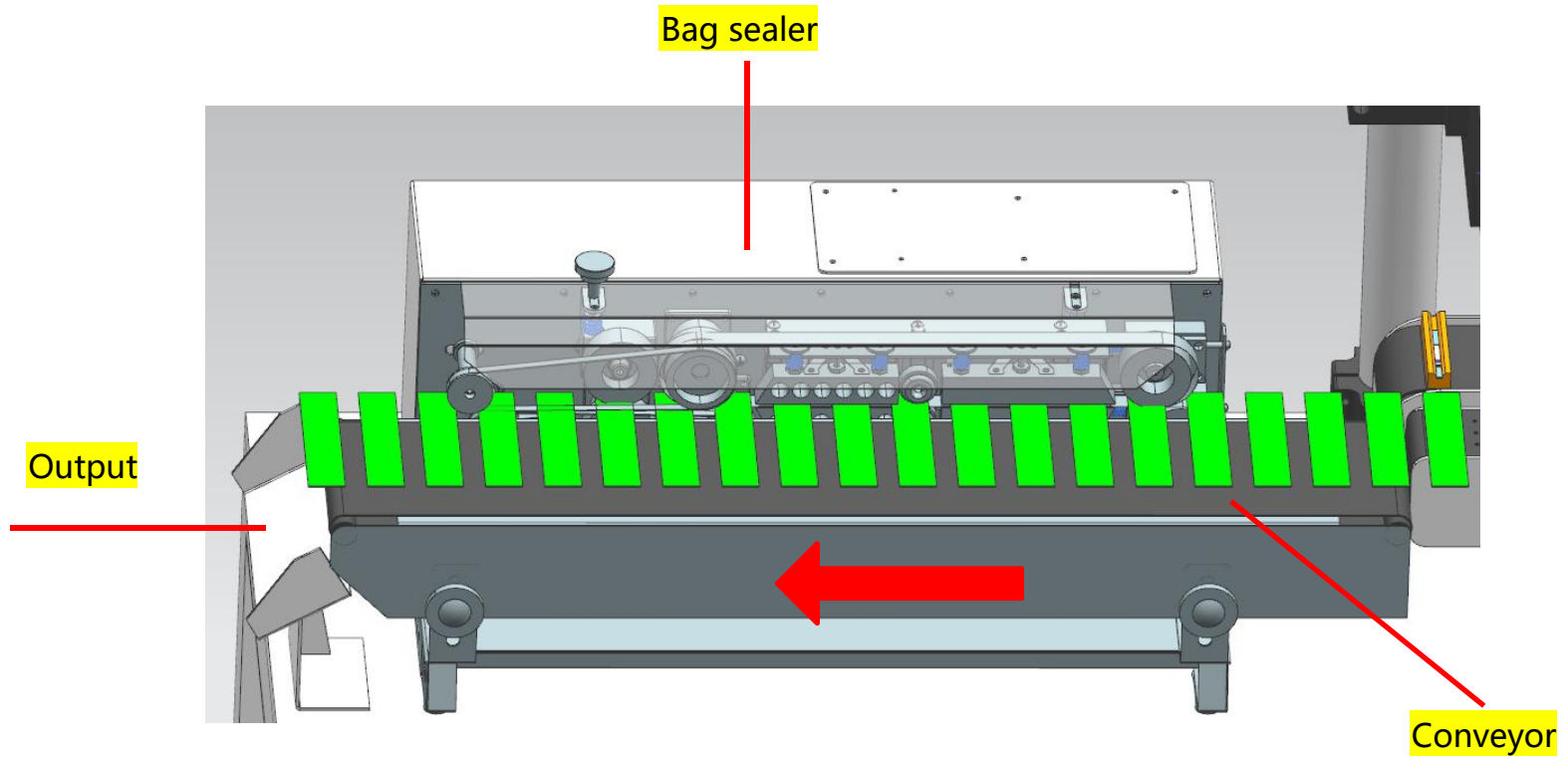
### Foil bag feeding



# Rapid Test Strip Packaging Machine

## Cassette Packaging Only

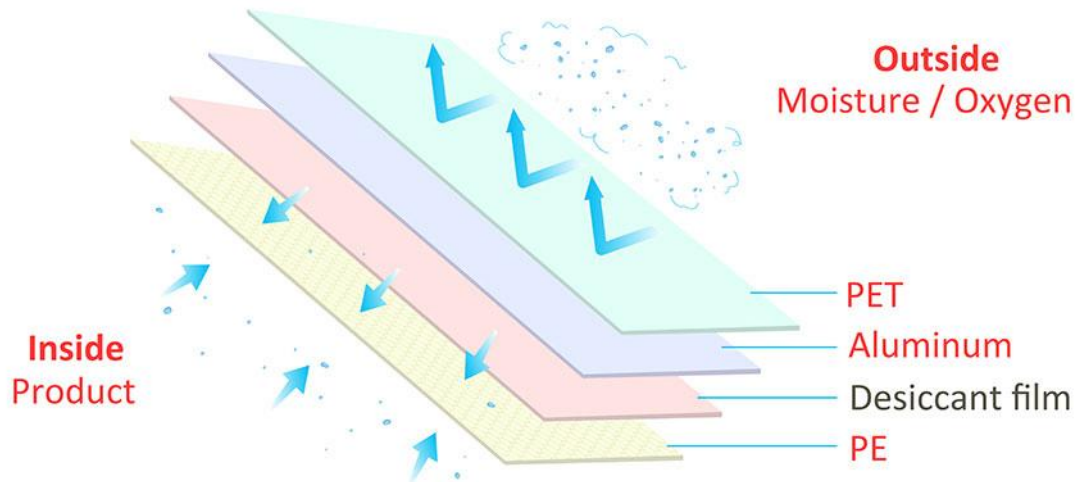
Sealing bag



## Rapid Test Strip Packaging Machine Cassette Packaging Only

### About foil bag

It is made of desiccant film that already contain desiccant ingredient



More details visit: <https://antiteck.com/desiccant-film/>



# Rapid Test Strip Packaging Machine

## Cassette Packaging Only

### Features

1. English menu
2. Capacity: 2,000 bags/hour
3. Easy for run and maintenance

### Operation

1. Connect with power supply and air supply
2. Insert foil bags into loader
3. Start machine
4. Manual feeding cassette
5. Keep continue running

## Rapid Test Strip Packaging Machine

### Cassette Packaging Only

Parameters	
Capacity	2,000pcs/Hour
Activation	90%
Air supply	0.5~0.8MPa
Power supply	AC220V/50Hz
Internal power	DC/24V
Power	13.0 KW
Weight	800kg
Dimension	L1.3 * W0.5 * H1.6m
Wooden packing	---

*All data will be changable according to final design*

## Rapid Test Strip Packaging Machine

### Cassette Packaging Only

Key components	
PLC	Mitsubishi/Panasonic/other
Operation system	ANTITECK
Servo	Inovance/KNK
Relay	Schneider/CHNT
Sensor	OMRON/Panasonic
Cylinder	SMC/AIRTAC
Solenoid valve	SMC/AIRTAC
Connector	SMC/AIRTAC

*All data will be changable according to final design*

# What ANTITECK can do?

**For automation product line**

non-standard automatic machine

## **Communication**

1. Customer provide details
2. Provide samples for machine design

## **Design**

Start designing

## **Equipments manufacturing**

In manufacturing process

## **Installation Commissioning**

Deliver machine  
Installation  
Commissioning