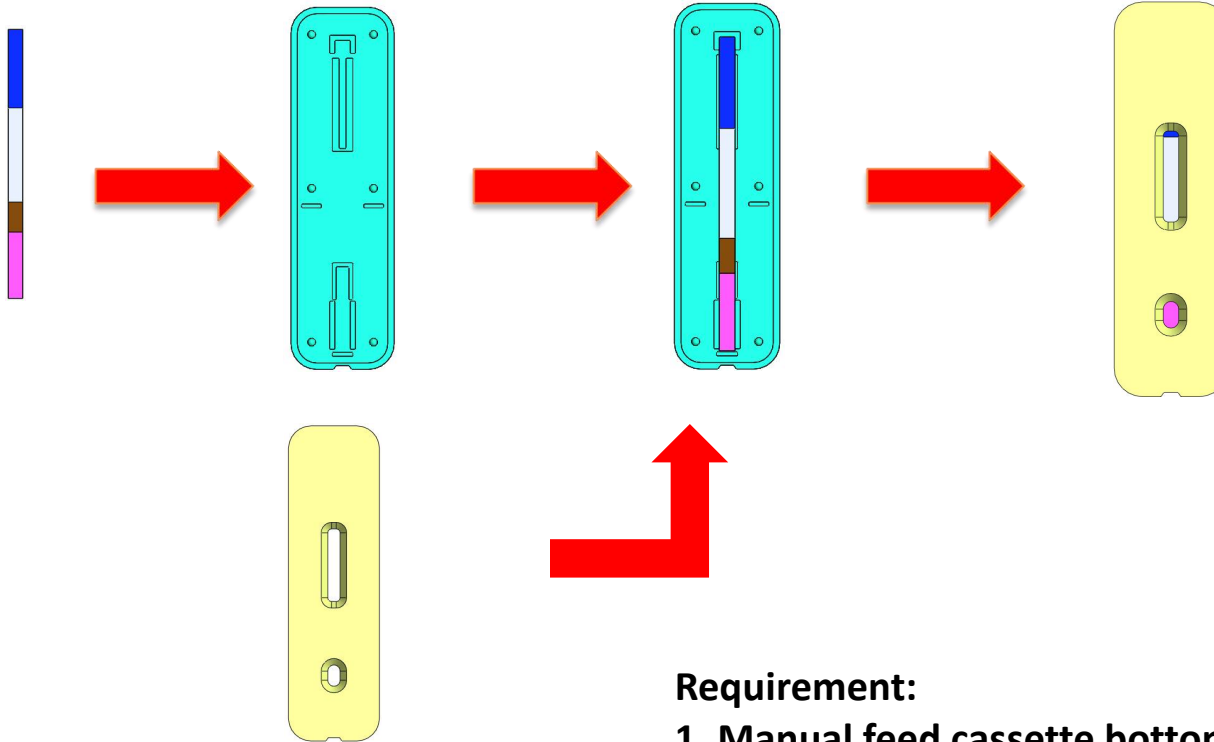


## Rapid Test Kit Assembly Machine

### Semi Automation Cassette Assembly



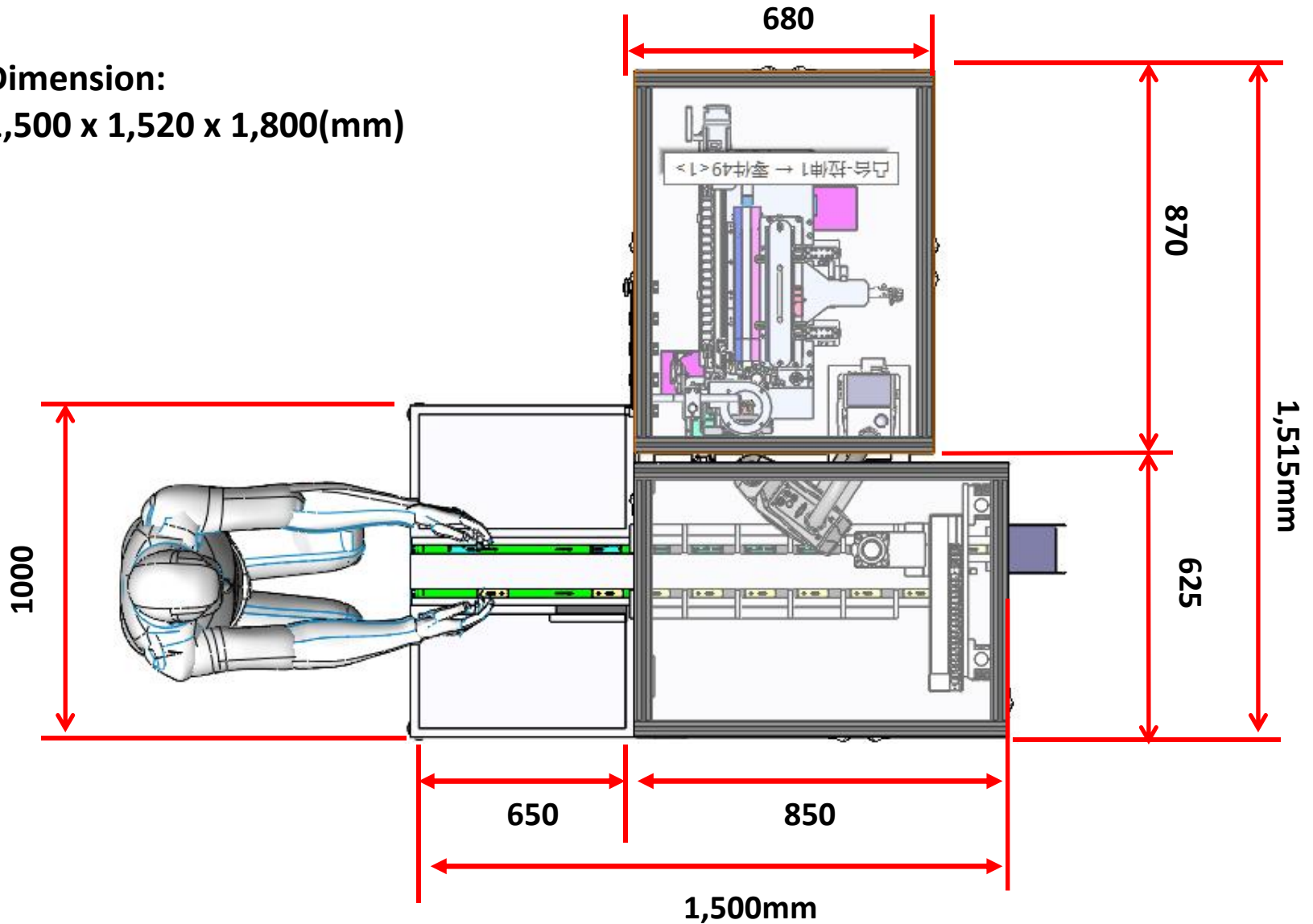
#### Requirement:

1. Manual feed cassette bottom
2. Manual feed cassette cover
3. Auto cutting strips
4. Auto insert strips into cassette
5. Auto pressing cassettes
6. Finish

# Rapid Test Kit Assembly Machine

## Semi Automation Cassette Assembly

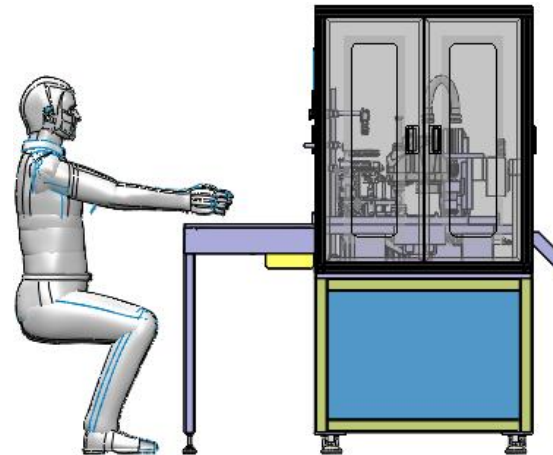
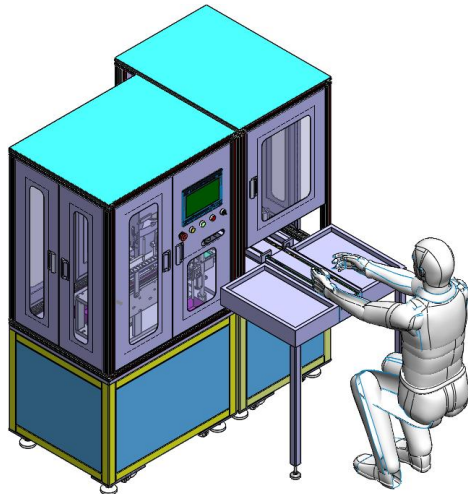
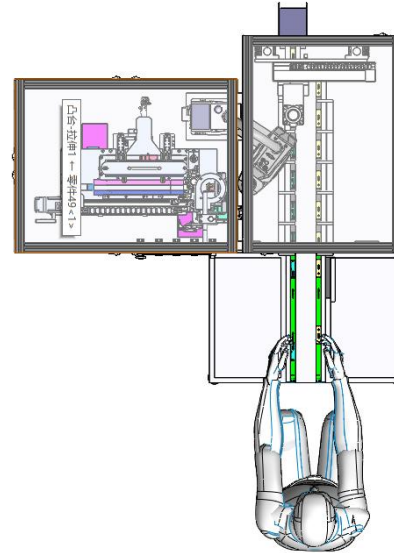
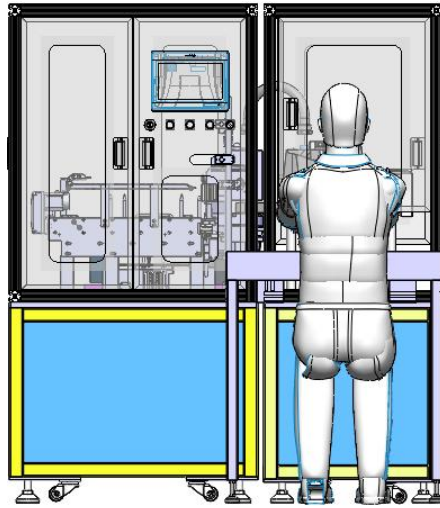
**Dimension:**  
**1,500 x 1,520 x 1,800(mm)**



# Rapid Test Kit Assembly Machine

## Semi Automation Cassette Assembly

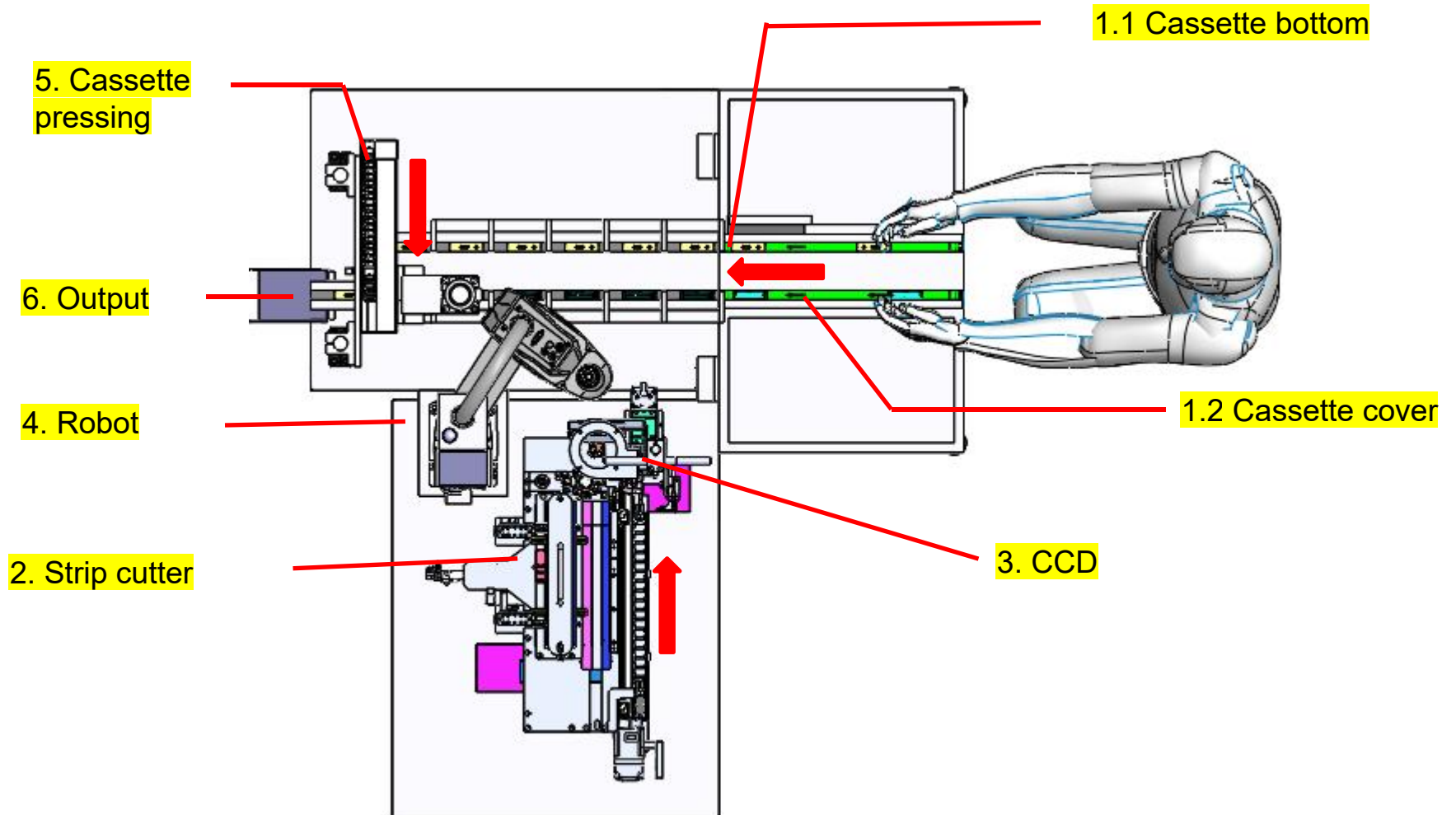
### Overview



# Rapid Test Kit Assembly Machine

## Semi Automation Cassette Assembly

### Workstations

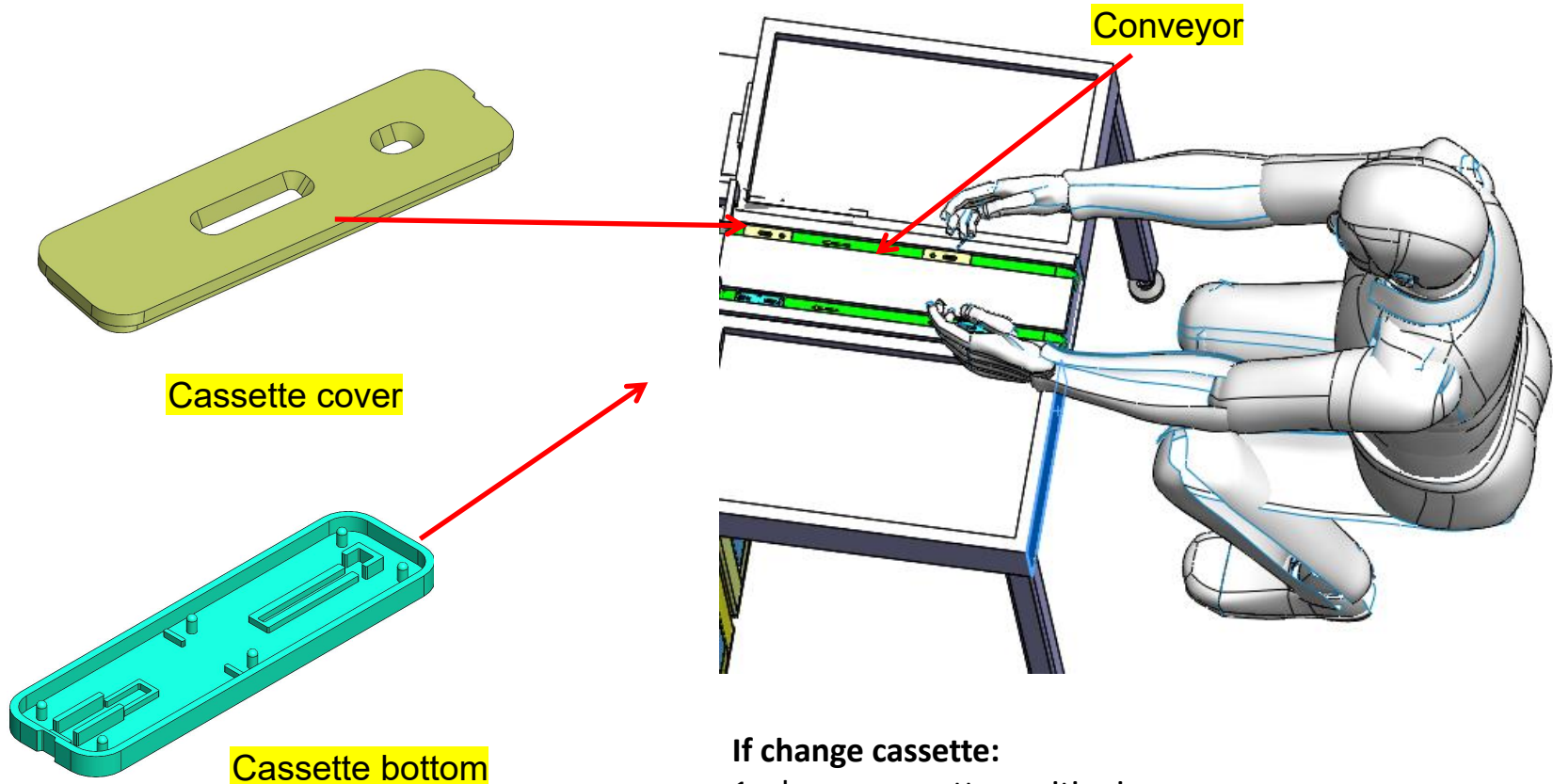


# Rapid Test Kit Assembly Machine

## Semi Automation Cassette Assembly

### Cassette feeding

Suitable for 1 strip cassette:  
Cassette width: 15mm ~ 40mm



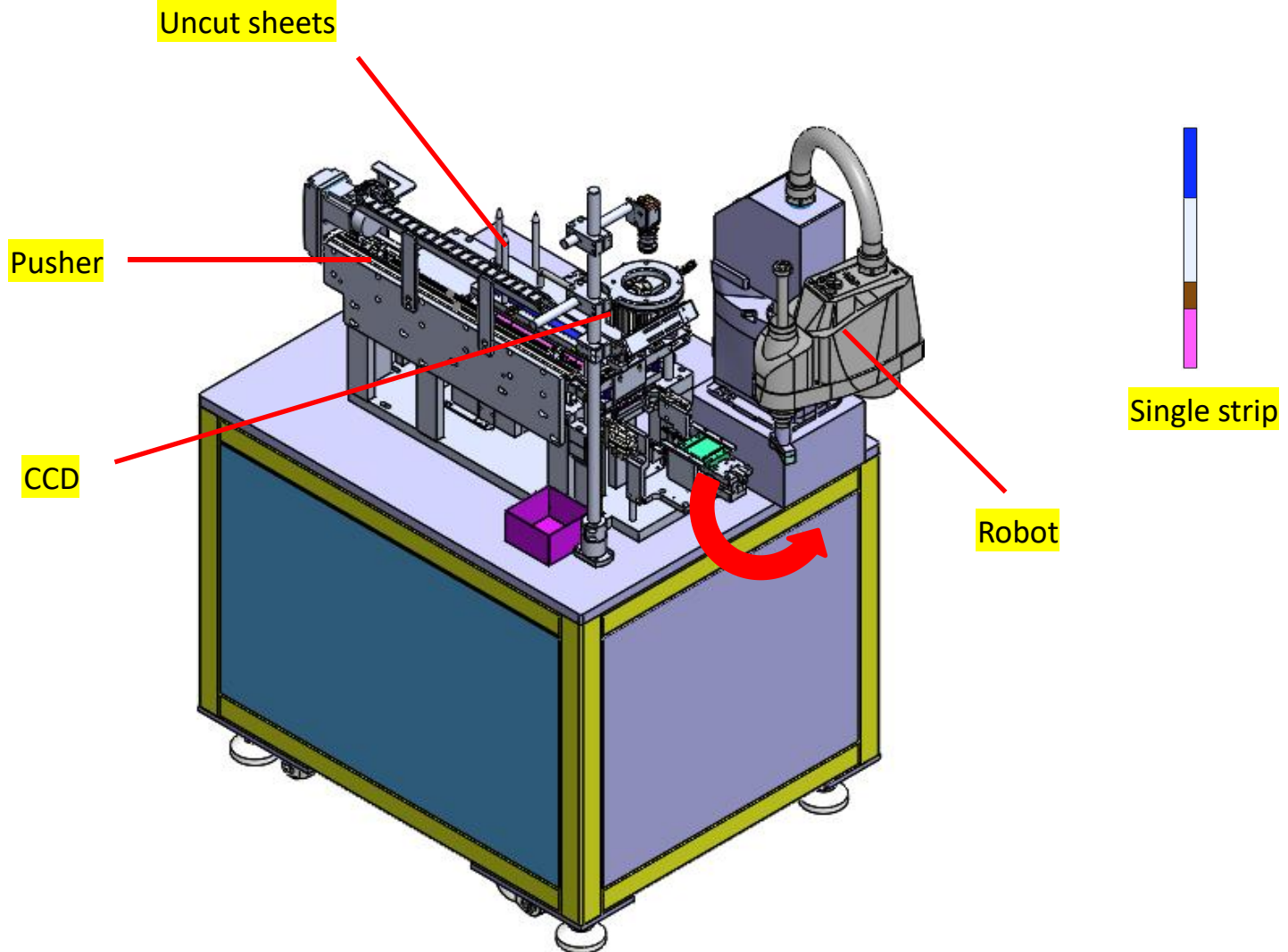
### If change cassette:

1. change cassette positioning
2. change robot positioning

# Rapid Test Kit Assembly Machine

## Semi Automation Cassette Assembly

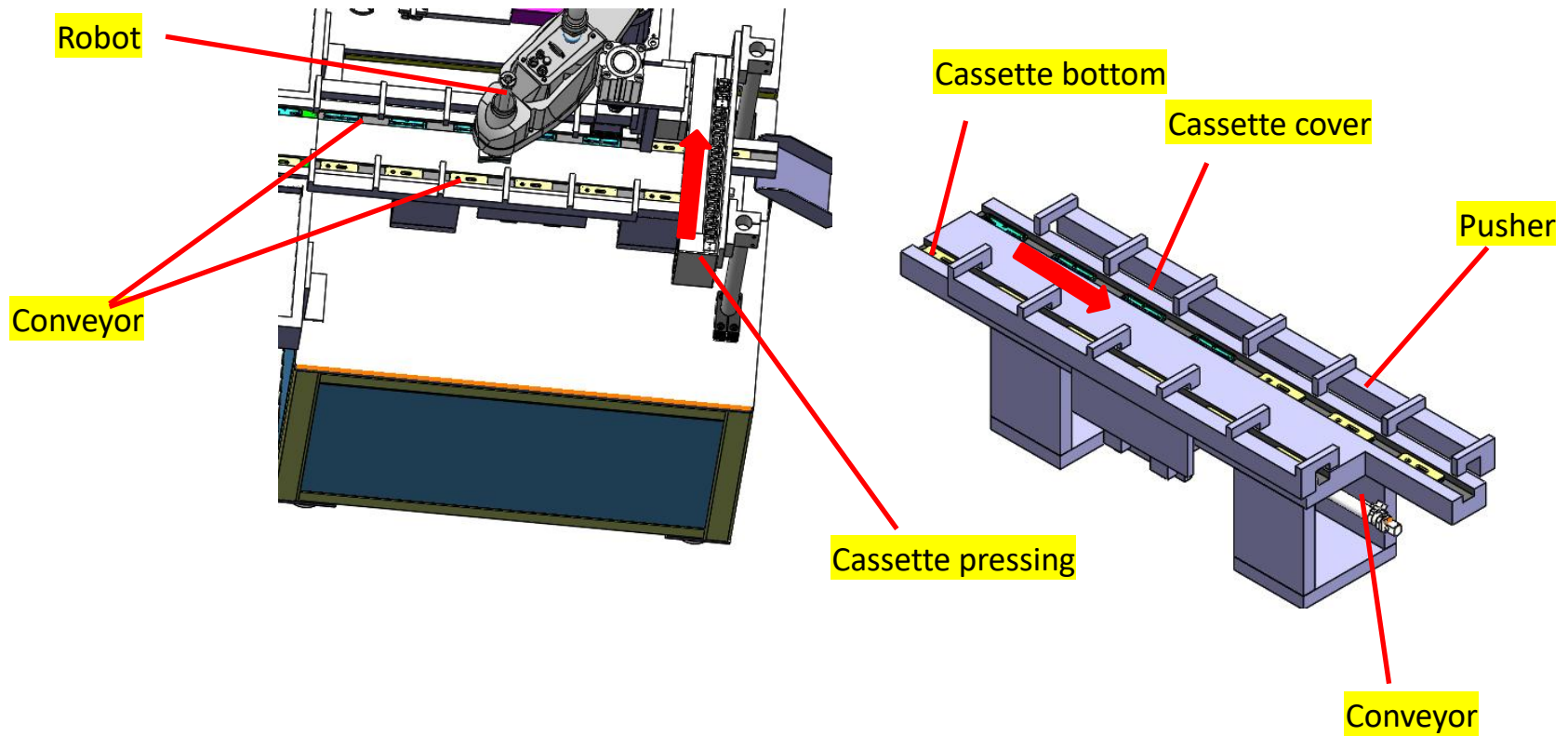
### Cutting station



# Rapid Test Kit Assembly Machine

## Semi Automation Cassette Assembly

### Cassette assembly



# Rapid Test Kit Assembly Machine

## Semi Automation Cassette Assembly

### Features

1. One operator, semi automation
2. Capacity: 1,200pcs/h
3. Easy for run and maintenance

### Operation

1. Connect with power supply and air supply
2. Manual insert cassette bottom & cover
3. Place uncut sheets into hopper
4. Calibrate the CCD
5. Start running machine



## Rapid Test Kit Assembly Machine

### Semi Automation Cassette Assembly

Parameters	
Capacity	1,200pcs/h
Air supply	0.5~0.8MPa
Power supply	AC220V/50Hz
Bead diameter	2.0 ~ 3.5mm
Power	5.0 KW
Weight	800kg
Dimension	L1.5 * W1.52 * H1.85m
Wooden packing	---

*All data will be changable according to final design*

# What ANTITECK can do?

**For automation product line**

non-standard automatic machine

## **Communication**

1. Customer provide details
2. Provide samples for machine design

## **Design**

Start designing

## **Equipments manufacturing**

In manufacturing process

## **Installation Commissioning**

Deliver machine  
Installation  
Commissioning