

Rapid Test Kit Assembly Machine

For At Home Drug Test Manufacturing - 1 to 7 Strips Multiple Cassette

Suitable for multiple strips cassette



1 Strip



2 Strip



3 Strip



4 Strip



5 Strip



7 Strip

Rapid Test Kit Assembly Machine

For At Home Drug Test Manufacturing - 1 to 7 Strips Multiple Cassette



Semi Automated Cassette Assembly

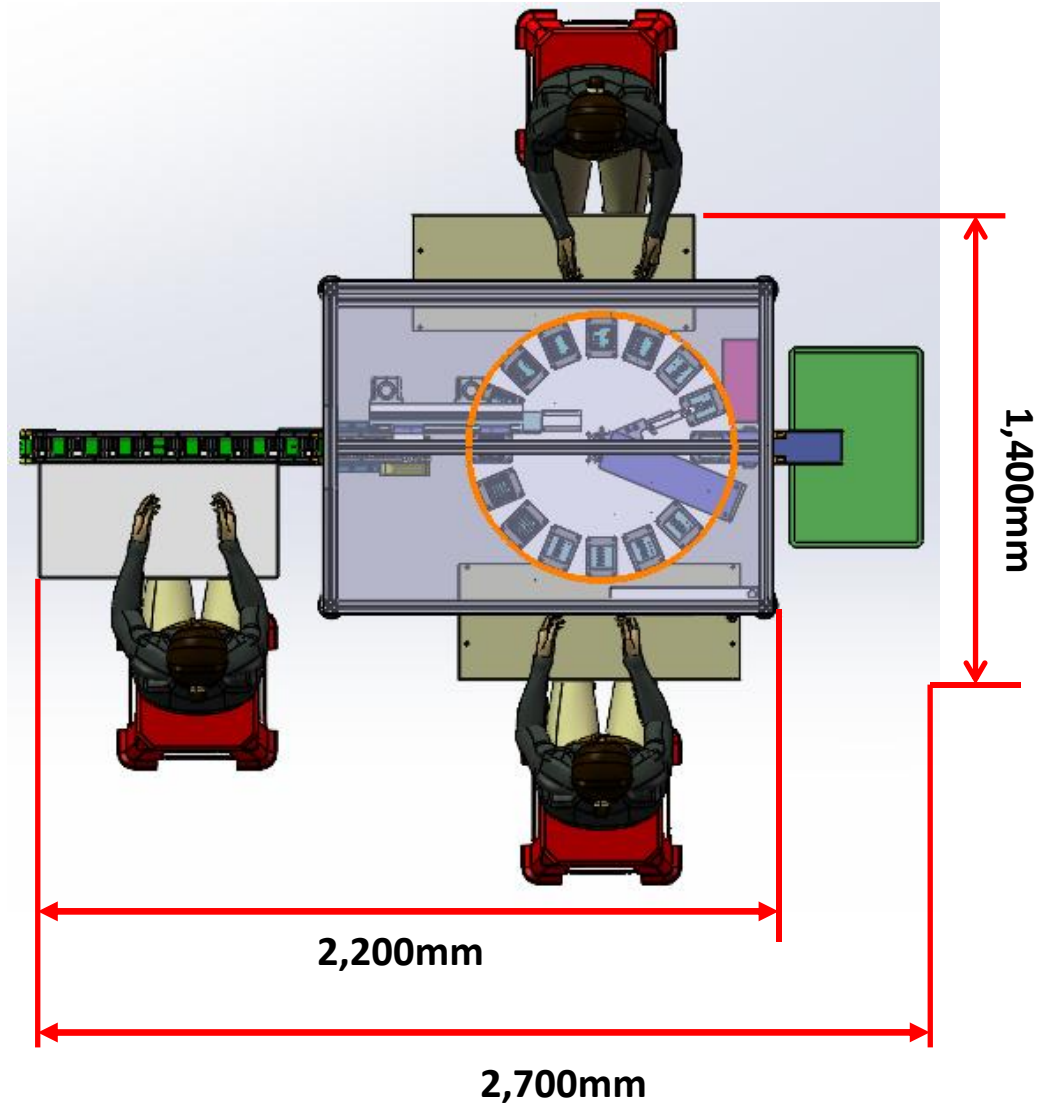
Work flow:

1. Manual feeding strips
2. Manual feeding cassette bottom
3. Automatic feeding strips into cassette
4. Manual feeding cassette cover
5. Press cassette tightly
6. Finish & output

Rapid Test Kit Assembly Machine

For At Home Drug Test Manufacturing - 1 to 7 Strips Multiple Cassette

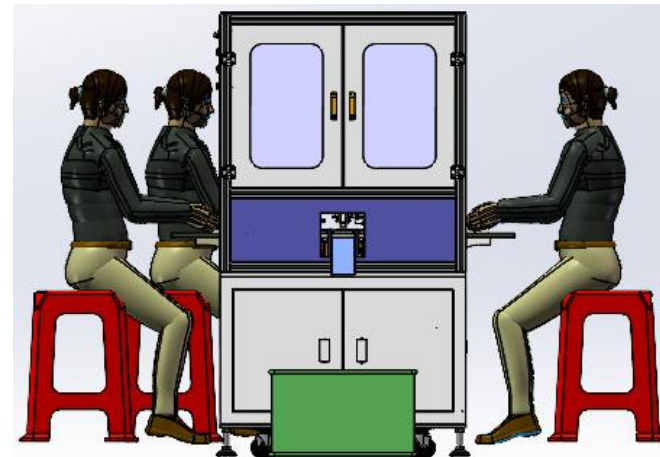
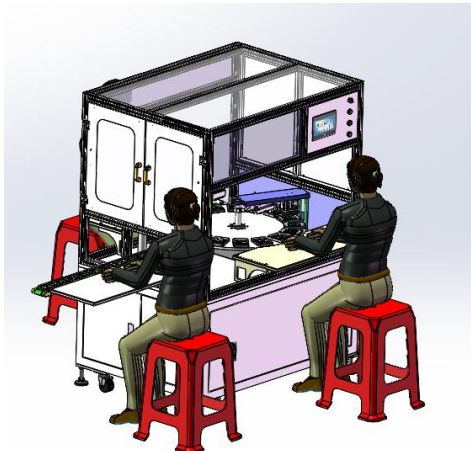
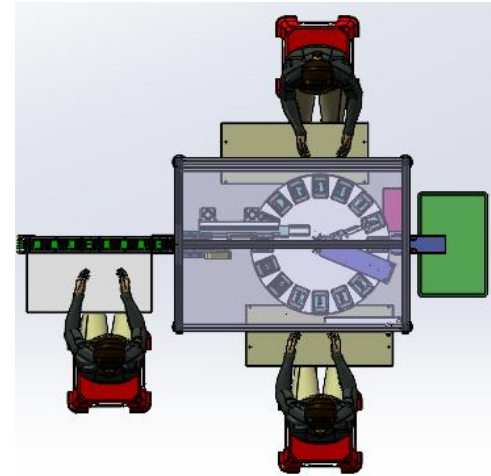
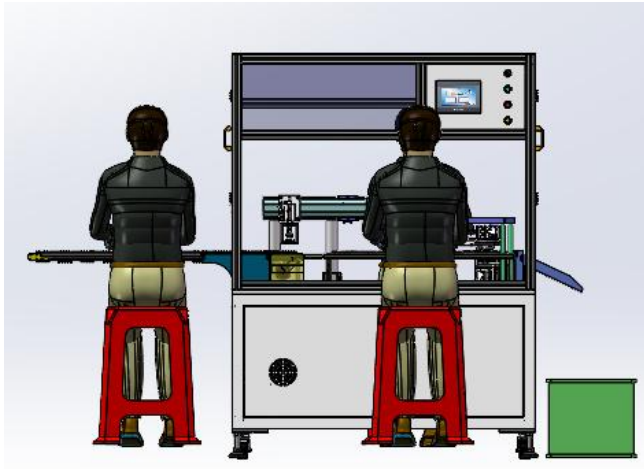
Overview



Rapid Test Kit Assembly Machine

For At Home Drug Test Manufacturing - 1 to 7 Strips Multiple Cassette

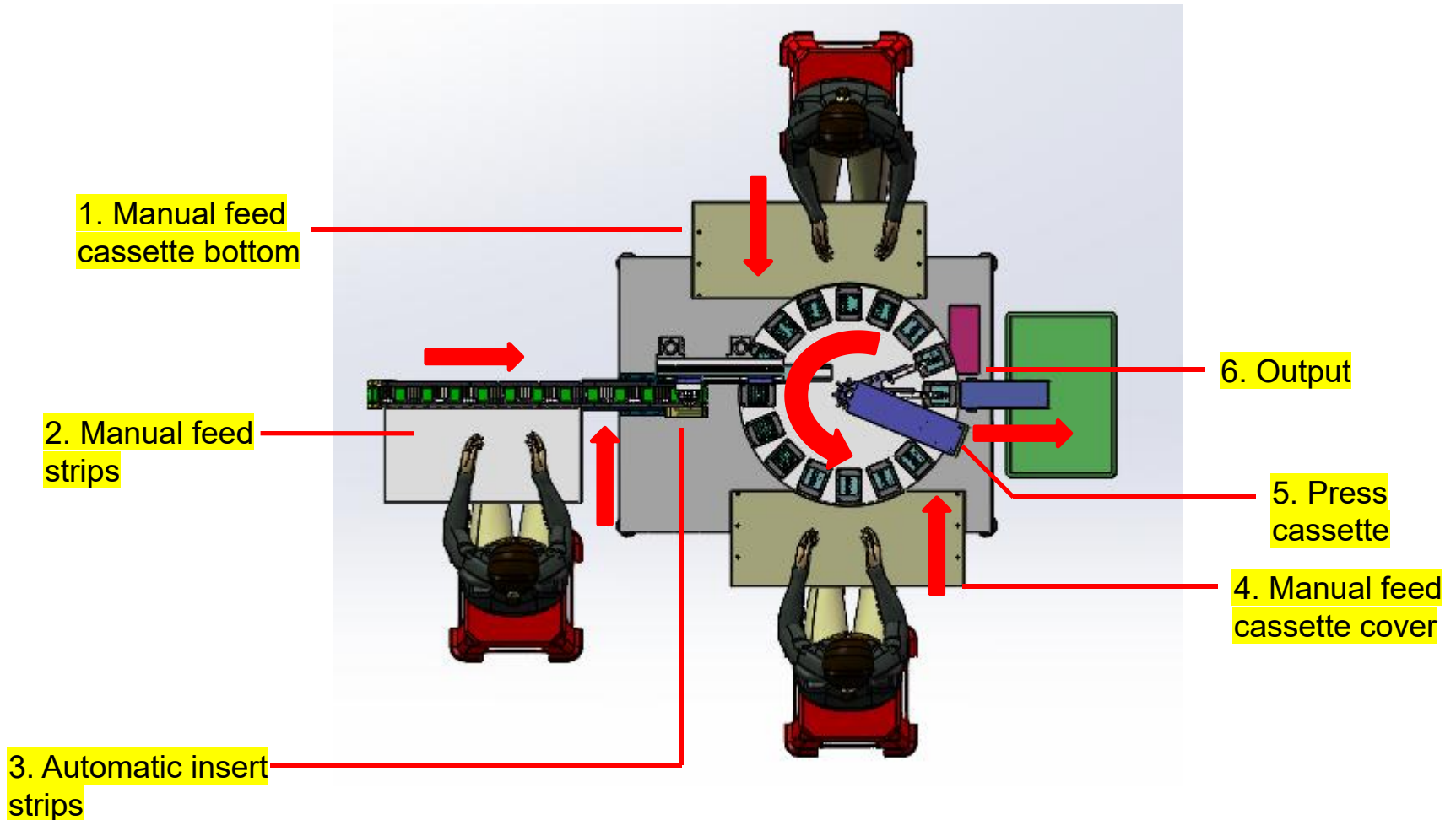
Overview



Rapid Test Kit Assembly Machine

For At Home Drug Test Manufacturing - 1 to 7 Strips Multiple Cassette

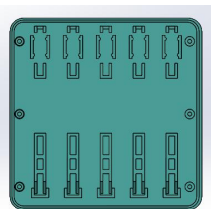
Workstations



Rapid Test Kit Assembly Machine

For At Home Drug Test Manufacturing - 1 to 7 Strips Multiple Cassette

Cassette bottom feeding



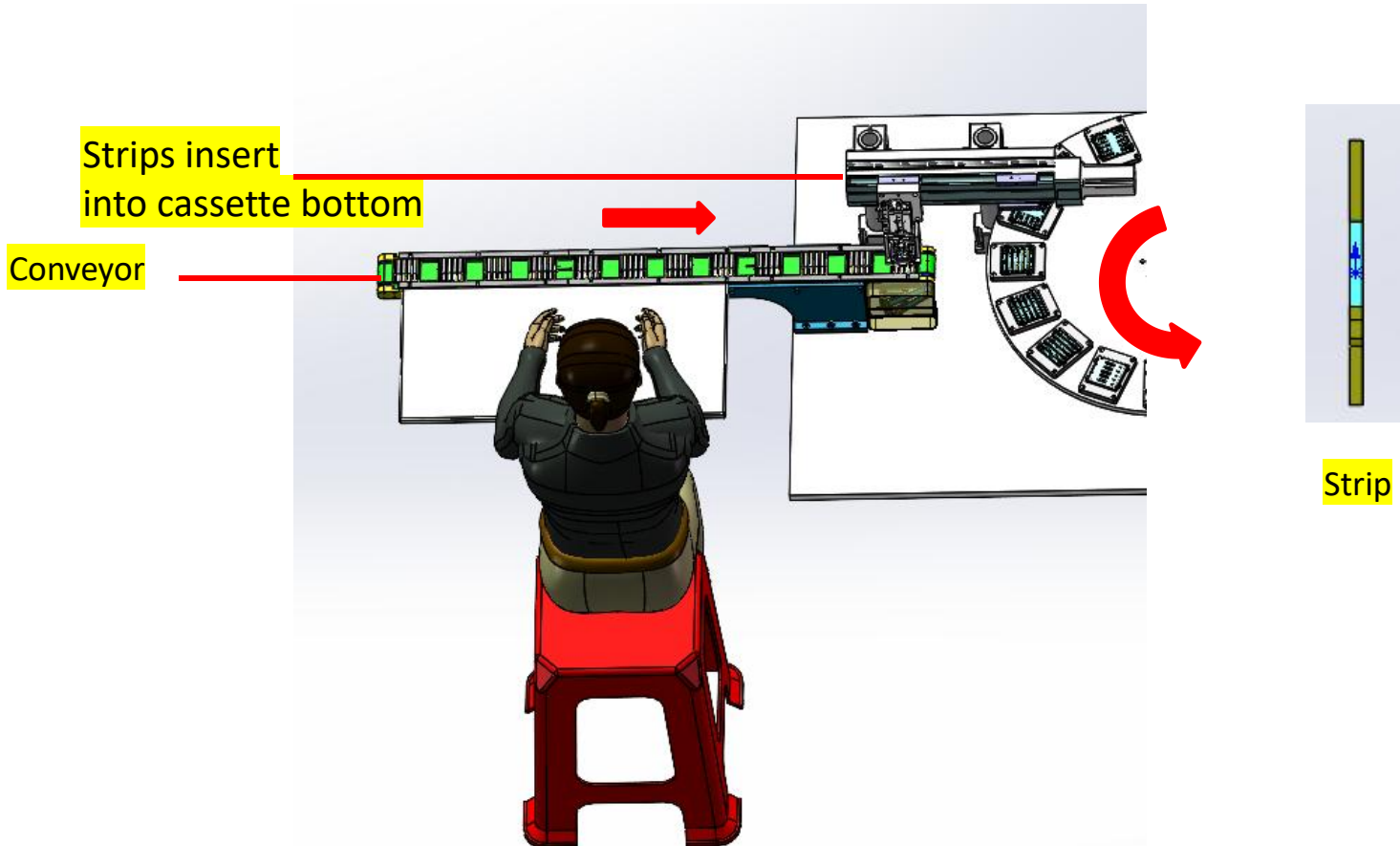
Cassette bottom



Rapid Test Kit Assembly Machine

For At Home Drug Test Manufacturing - 1 to 7 Strips Multiple Cassette

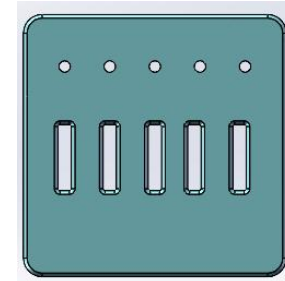
Strips insert into cassette bottom



Rapid Test Kit Assembly Machine

For At Home Drug Test Manufacturing - 1 to 7 Strips Multiple Cassette

Cassette cover feeding

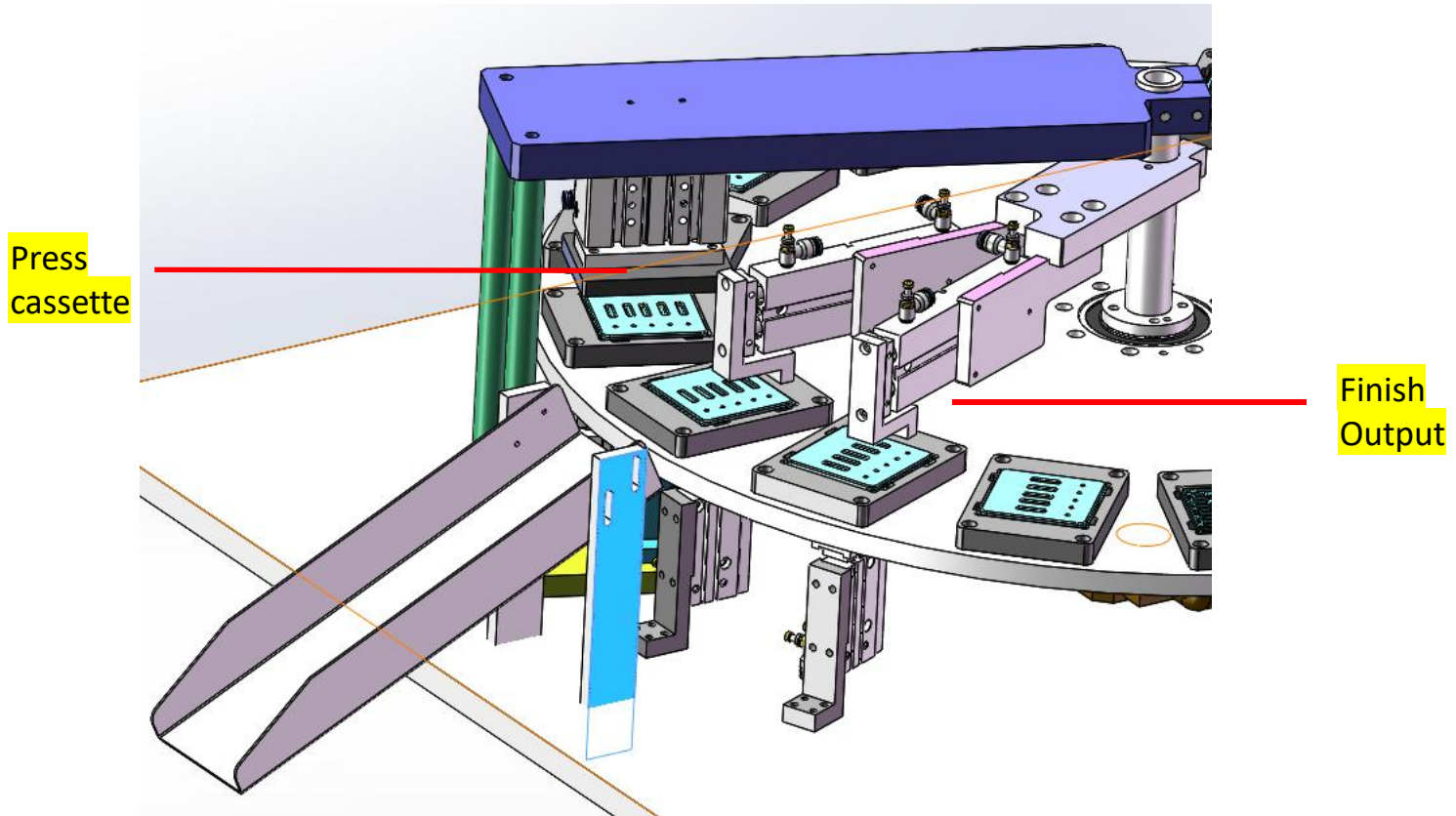


Cassette cover

Rapid Test Kit Assembly Machine

For At Home Drug Test Manufacturing - 1 to 7 Strips Multiple Cassette

Output



Rapid Test Kit Assembly Machine

For At Home Drug Test Manufacturing - 1 to 7 Strips Multiple Cassette

Features:

1. Touch screen
2. Capacity 1,000 ~ 1,500 cassettes/hour
3. Easy to use
4. Easy for maintenance

Operation:

1. Connect with power supply and air supply
2. Start machine
3. Manual feed cassette bottom
4. Manual feed strips
5. Manual feed cassette cover
6. Continue feed cassette & strips

Rapid Test Kit Assembly Machine

For At Home Drug Test Manufacturing - 1 to 7 Strips Multiple Cassette

Parameters	
Capacity	1,000 ~1,500 cassettes/H
Activation	90%
Air supply	0.5~0.8MPa
Power supply	AC220V/50Hz
Internal power	DC/24V
Power	2.0 KW
Weight	750kg
Dimension	L2.7 * W1.4 * H1.8m

All data will be changable according to final design

Rapid Test Kit Assembly Machine

For At Home Drug Test Manufacturing - 1 to 7 Strips Multiple Cassette

Key components	
PLC	Mitsubishi/Panasonic
Operation system	ANTITECK
Servo	Inovance/KNK
Relay	Schneider/CHNT
Sensor	OMRON/Panasonic
Cylinder	SMC/AIRTAC
Solenoid valve	SMC/AIRTAC
Connector	SMC/AIRTAC

All data will be changable according to final design