

HOW TO SETUP COVID-19 TEST KIT MANUFACTURING UNIT?

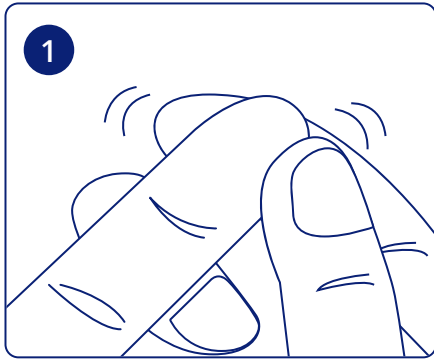
ANTITECK, a manufacturer of antigen test kit, we provide raw materials, semi product, equipment, automatic production line to help who want to manufacture Antigen Test Kit. We have full professional solutions from antigen and antibody to finish product, include fully techniques for manufacturing to transfer.

Three plans for help you setup your own *Antigen Test Kit* manufacturing unit.

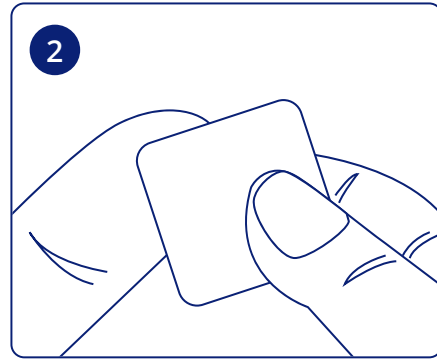
Solution	PLAN A <i>Basic</i>	PLAN B <i>Standard</i>	PLAN C <i>Premium</i>
Raw Materials	Uncut Sheet: Antigen Test Kit or Neutralizing antibody Test Kit	Conjugated antibody; Conjugated antigen; Antigen Test Kit or Neutralizing antibody Test Kit	SARS-Cov-2 antigen; SARS-Cov-2 antibody; IgG antibody; IgM antibody; Chicken IgY antibody; Goat anti-Chicken IgY antibody; Antigen Test Kit or Neutralizing antibody Test Kit or IgG & IgM Rapid Test Kit
Production Difficulty	Easy	Medium	High
Accessories	Antigen Test Kit: Buffer solution; Extraction tube; Lateral flow cassette; Foil bag; Neutralizing Antibody Test Kit: Buffer solution; Lateral flow cassette; Foil bag; Lancet ; Alcohol pad; Disposable pipette;	Antigen Test Kit: Lateral flow cassette; Lateral flow backing card; Conjugate pad; Sample pad; Absorbent pad; Nitrocellulose membrane; Foil bag; Extraction tube; Neutralizing Antibody Test Kit: Lateral flow backing card; Conjugate pad; Sample pad; Absorbent pad; Nitrocellulose membrane; Lateral flow cassette; Foil bag;	Antigen Test Kit: Gold nanoparticles; Extraction tube; Lateral flow cassette; Foil bag; Lateral flow backing card; Conjugate pad; Sample pad; Absorbent pad; Nitrocellulose membrane; Neutralizing Antibody Test Kit: Gold nanoparticles; Lateral flow backing card; Conjugate pad; Sample pad; Absorbent pad; Nitrocellulose membrane;

Solution	PLAN A <i>Basic</i>	PLAN B <i>Standard</i>	PLAN C <i>Premium</i>
Accessories		Lancet ; Alcohol pad; Disposable pipette;	Lateral flow cassette; Foil bag; Lancet; Alcohol pad; Disposable pipette;
R&D team requirement	Basic	Medium skilled	High skilled and rich experience
Small scale production Basic equipment	Lateral flow strip cutter; Lateral flow cassette presser; Seal and print machine;	Lateral flow dispenser; Lateral flow strip cutter; Lateral flow cassette presser; Seal and print machine; Blast Drying Oven; Mixer; Etc,	Lateral flow dispenser; Lateral flow strip cutter; Lateral flow cassette presser; Seal and print machine; Blast Drying Oven; Mixer; Stainless Steel Tank; Centrifuge; Micropipette; Etc,
Large scale production Automatic production	Semi automated rapid test assembly machine	Fully automated rapid test assembly machine	
Technology transfer	Basic	Medium	Full
Lateral flow training	Basic	Custom	Custom
Contract assay development	Custom	Custom	Custom
Contract manufacturing	Custom	Custom	Custom

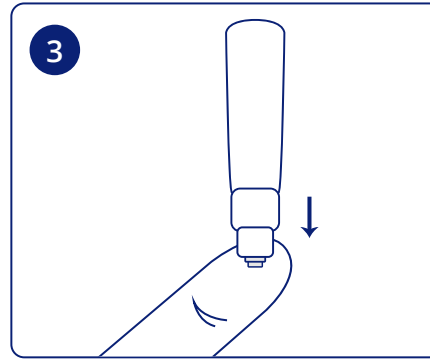
Operation: IgG/IgM Rapid Test Kit



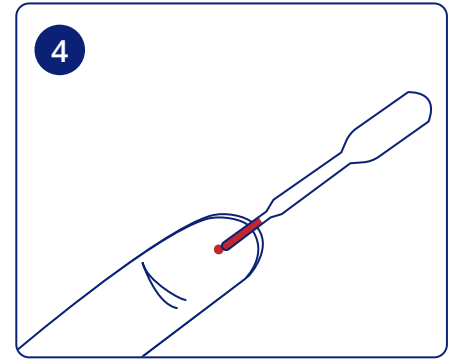
Gently rub the finger to make it slightly congested.



Use alcohol cotton to wipe the blood sampling site and dry naturally.



Remove the lid of the blood sampling needle, and press its head.



Take about 20µL of blood with a dropper.

※ Note that the error results may occur if placed for more than 20 minutes.

5 Confirmation of the results

Not Detected	Detected	Detected	Detected
<p>C [+] IgG [-] IgM [-]</p> <p>[C + G - M -]</p> <p>Negative</p>	<p>C [+] IgG [+] IgM [-]</p> <p>[C + G + M -]</p> <p>IgM Negative IgG Positive</p>	<p>C [+] IgG [-] IgM [+]</p> <p>[C + G - M +]</p> <p>IgM Positive IgG Negative</p>	<p>C [+] IgG [+] IgM [+]</p> <p>[C + G + M +]</p> <p>IgM Positive IgG Positive</p>



① Lancet

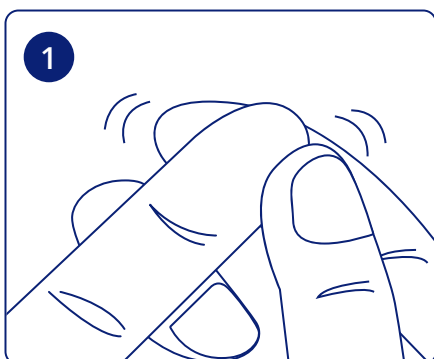
② Disposable plastic straw

③ Diluent

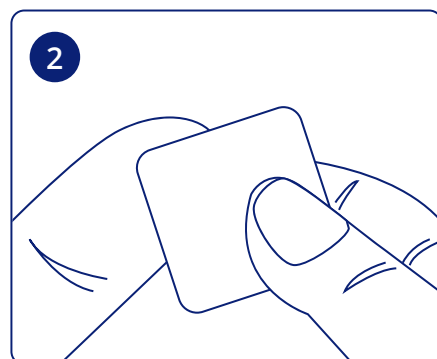
④ Test pad

⑤ Manual

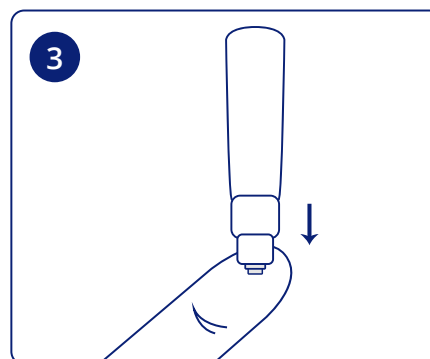
Neutralizing Antibody Test Kit



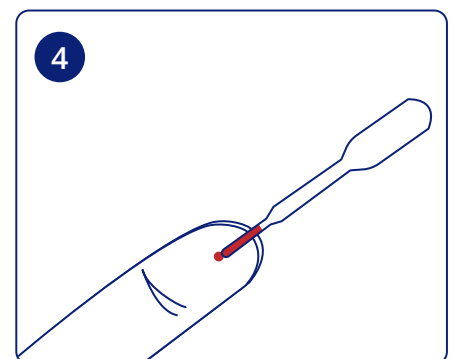
Gently rub the finger to make it slightly congested.



Use alcohol cotton to wipe the blood sampling site and dry naturally.



Remove the lid of the blood sampling needle, and press its head.



Take about 20µL of blood with a dropper.

※ Note that the error results may occur if placed for more than 20 minutes.

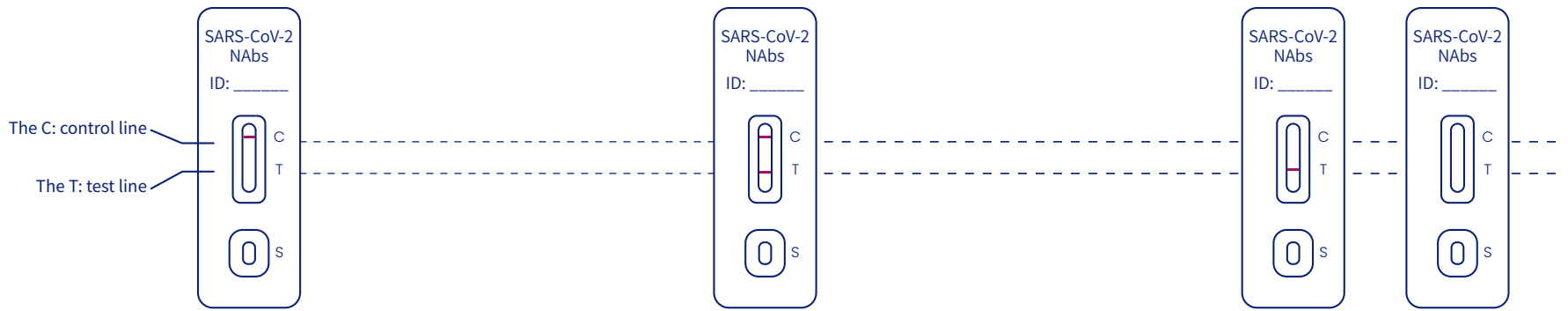
5

Confirmation of the results

Not Detected

Detected

Invalid test result



① Lancet

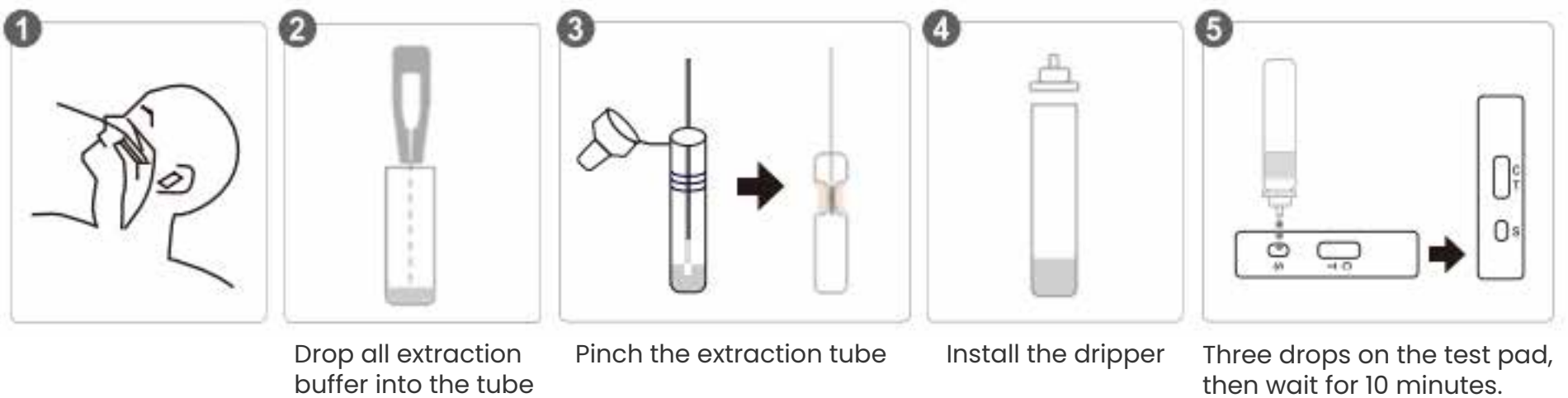
② Disposable plastic straw

③ Diluent

④ Test pad

⑤ Manual

Antigen Test Kit (Professional)



※ Note that the error results may occur if placed for more than 20 minutes.

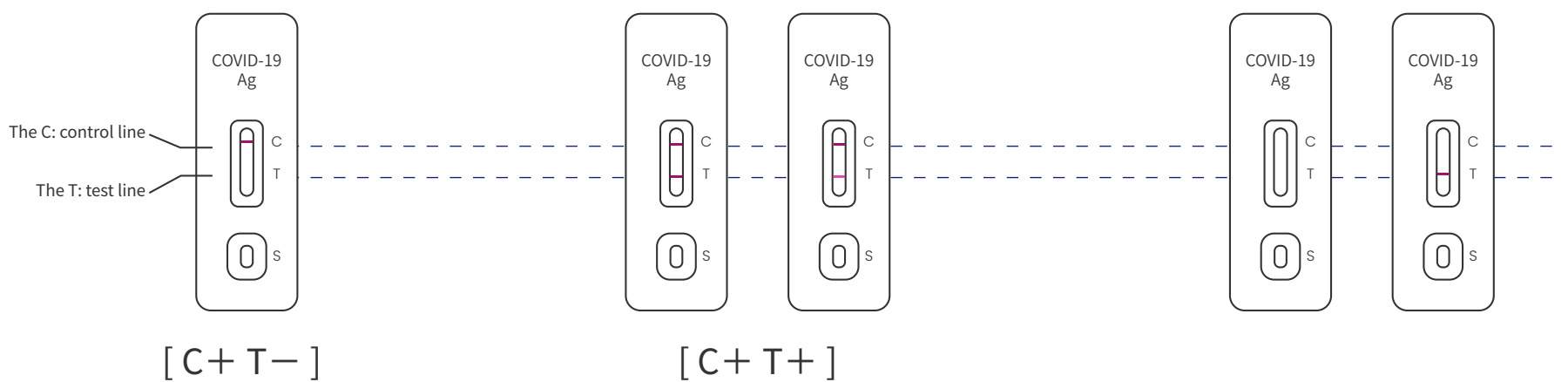
6

Confirmation of the results

Not Detected

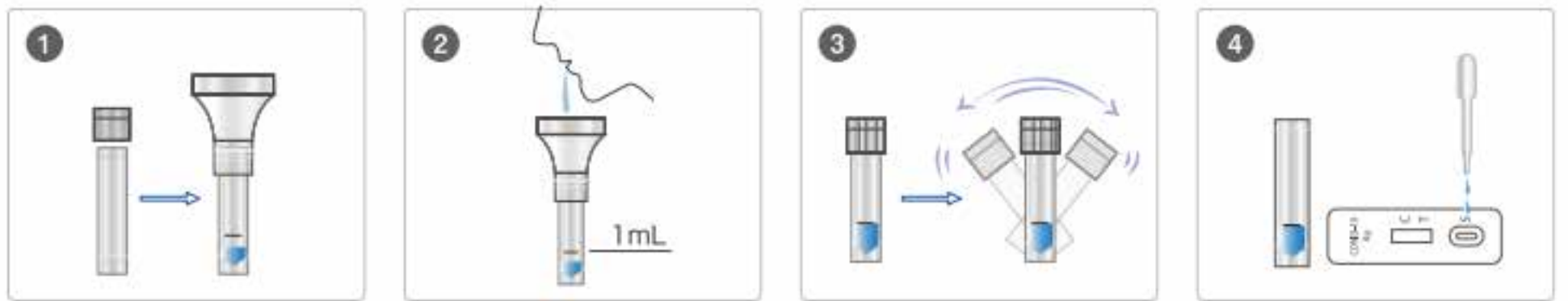
Detected

Invalid test result





Antigen Test Kit (Saliva)



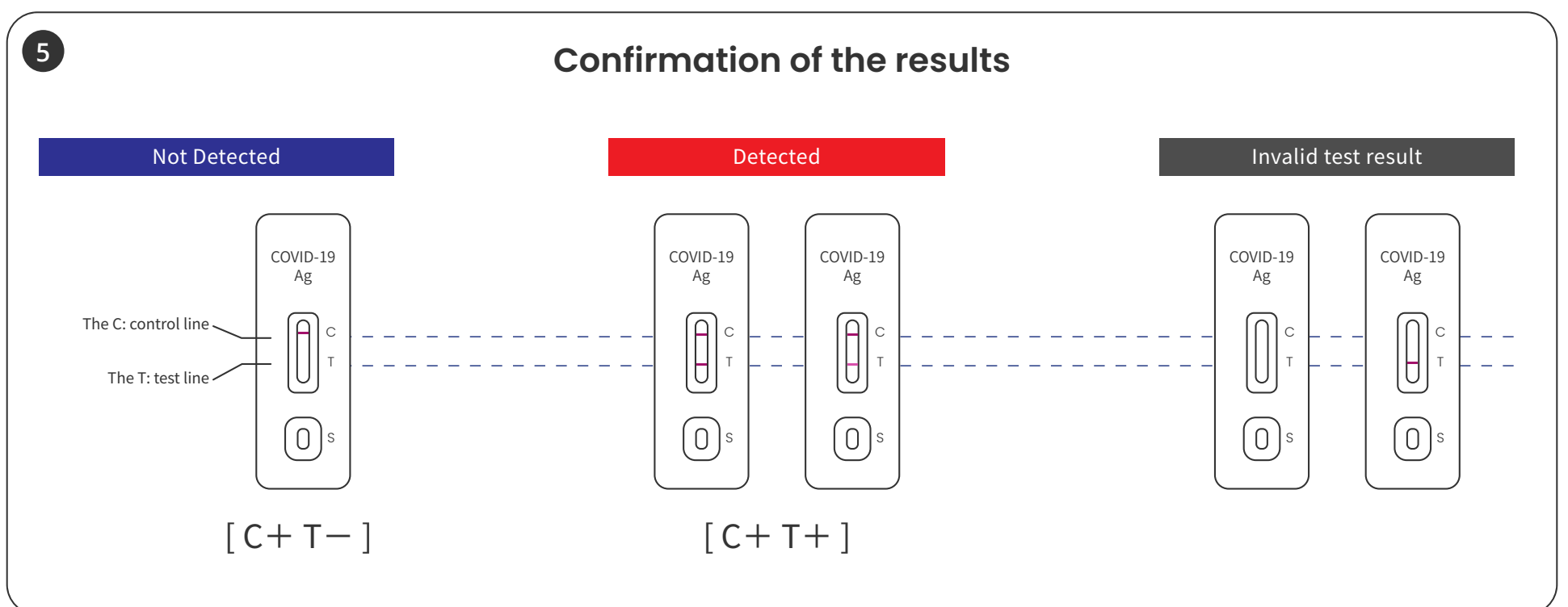
1. Open the lid of the saliva diluent container and fit the funnel.

2. Spit out saliva to the 1ml line and remove the funnel.

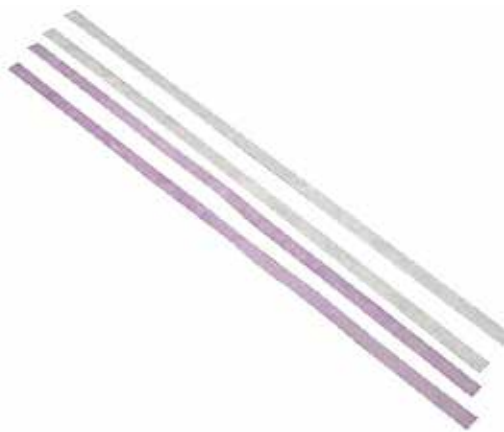
3. Cover it, and shake the container.

4. Open the lid, add 3 drops on the test pad, then wait for 10 minutes.

※ Note that the error results may occur if placed for more than 20 minutes.



Raw materials & Accessories:

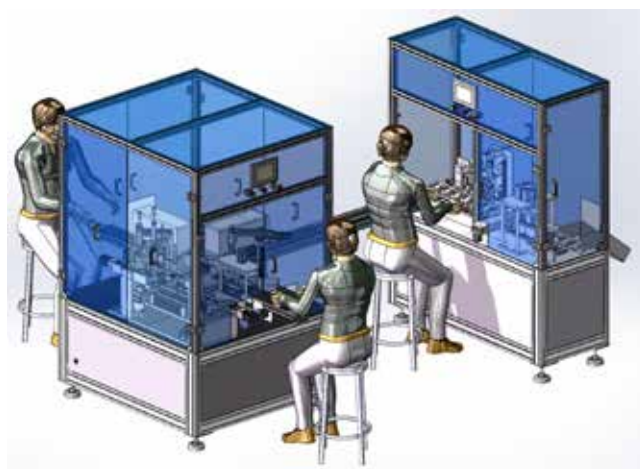
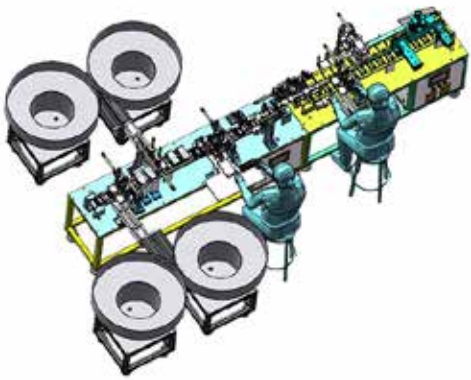


Equipment for lateral flow assay development & manufacturing:





Facilities for lateral flow automated manufacturing:



Contact Us

Address: A1-519, XingGang Guoji, Yingbin Road, Huadu, Guangzhou, China

WhatsApp: +8613312863972

E-mail: info@antiteck.com